



# API References

Version latest, 08 April 2026

# Table of Contents

|  |    |
|--|----|
| 1. RBFS API User Guide .....   | 1  |
| 1.1. RBFS REST APIs .....  | 1  |
| 1.1.1. Introduction to RBFS REST APIs .....                            | 1  |
| 1.1.2. Understanding RBFS APIs .....                                   | 1  |
| 1.2. Controller Daemon .....   | 3  |
| 1.2.1. CtrlID Overview .....   | 4  |
| 1.2.2. CtrlID Parameters .....   | 5  |
| 1.2.3. Container Management .....                                      | 6  |
| 1.2.4. Images Management .....   | 7  |
| 1.2.5. Container and Element Management .....                          | 9  |
| 1.2.6. CtrlID API .....  | 10 |
| 1.2.7. Jobs and Callbacks .....  | 11 |
| 1.2.8. Pub-Sub Model .....   | 11 |
| 1.2.9. CtrlID Logs .....   | 12 |
| 1.3. Functions and Use cases of RBFS REST APIs .....                   | 12 |
| 1.3.1. CtrlID API .....  | 12 |
| 1.3.2. RESTCONF API .....  | 13 |
| 1.3.3. Operational State API .....                                     | 13 |
| 1.3.4. Guidelines and Limitations .....                                | 14 |
| 1.4. Configure API Gateway and CtrlID Components .....                 | 14 |
| 1.4.1. Configure API Gateway Components .....                          | 14 |
| 1.4.2. Control Daemon (CtrlID) .....                                   | 17 |
| 1.5. Events .....  | 23 |
| 1.5.1. Alerts .....  | 23 |
| 1.5.2. Business Events .....   | 23 |
| 1.6. Appendix: Use case Scenario and Examples for RBFS REST APIs ..... | 29 |
| 1.6.1. CtrlID API: Use Cases and Examples .....                        | 29 |
| 1.6.2. RESTCONF API: Use Cases and Examples .....                      | 31 |
| 1.6.3. Operational State API: Use Cases and Examples .....             | 37 |
| 1.6.4. Prometheus: Use Cases and Examples .....                        | 39 |
| 1.6.5. Handling Special Characters in URL Parameters .....             | 40 |
| 1.7. Related Documentation .....                                       | 40 |



---

# 1. RBFS API User Guide

## 1.1. RBFS REST APIs

This document contains all the information about RBFS REST API services, their purposes and how to use these APIs. This documentation goes hand-in-hand with the [RBFS OpenAPI document](#) which provides information about all RBFS REST API endpoints. It is recommended to refer to this document in conjunction with the RBFS OpenAPI document.

### 1.1.1. Introduction to RBFS REST APIs

RBFS REST APIs allow customers and partners to programmatically access information from the RBFS software components. RBFS REST APIs enable users to manage and automate many of their tasks by accessing and consuming the RBFS data simply and securely.

RBFS REST API architecture supports containerized deployments with a centralized configuration and management. It also enables the configuration and management of distinct daemons and services.

RBFS APIs adhere to the Representational State Transfer (REST) principles and allow consumers to securely connect to the RBFS device, obtain information (read) and run actions or operations to apply changes. RBFS REST APIs use JavaScript Object Notation (JSON) for the exchange of information. The OpenAPI Specification format, which is a broadly accepted industry standard for describing REST APIs, is used to describe, consume, and visualize RBFS REST APIs.

### 1.1.2. Understanding RBFS APIs

RBFS, a disaggregated Broadband Network Gateway, provides many APIs to make all communications possible with various RBFS software components, the host operating system, and the hardware platform. RBFS consists of several independent microservices including the API Gateway daemon ([ApiGwD](#)) and Control daemon ([CtrlD](#)). Both of these microservices, known as daemons, play crucial roles in managing RBFS instances.

API gateway functions only if management plane security is enabled. All API requests from external clients are routed to the API Gateway. After successful

authentication by the API Gateway, these requests are forwarded to the Control daemon. CtrlID, which is aware of the state and port information of all daemons that reside in the RBFS container, can forward requests to the respective daemons.



If security is disabled, API Gateway does not function and, then CtrlID becomes the first entry point for external requests.

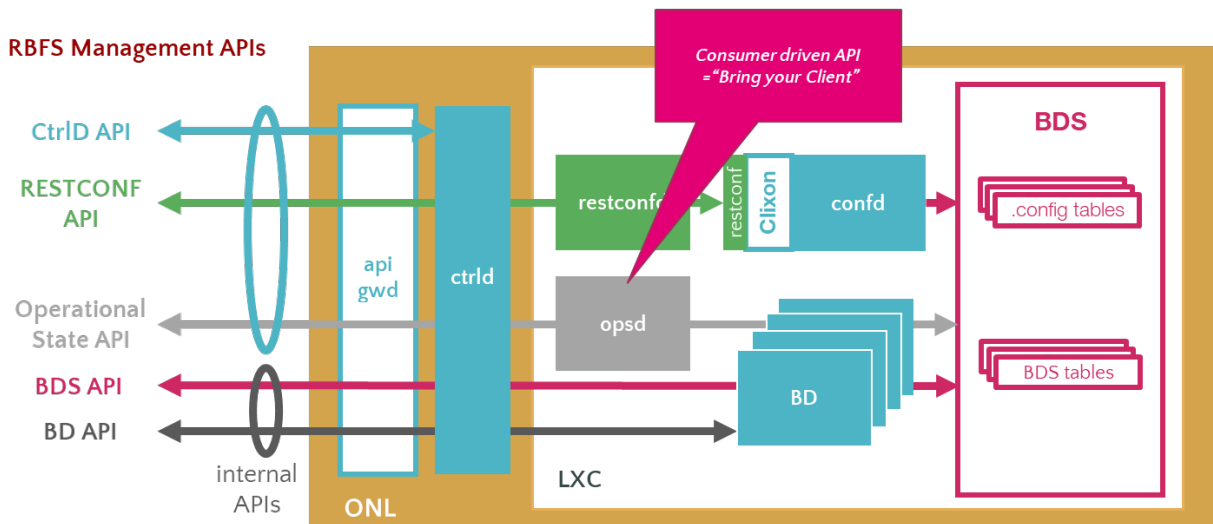


Figure 1. RBFS REST APIs

The illustration presents how the RBFS REST APIs communication happens with various underlying software components. RBFS microservices, which perform various functions, are containerized in an open Linux container. RBFS APIs are generally categorized into Public Management APIs and Internal APIs. Public Management APIs include CtrlID API, RESTCONF API, and Operational state API. These APIs are used for managing and automating many of the network administration tasks.



The use of internal APIs such as Brick Daemon APIs and BDS APIs are not supported.

The illustration also presents the API Gateway daemon (ApiGwD) and Control daemon (CtrlID), which are deployed on the RtBrick Host along with the RBFS container. The API Gateway acts as an entry point that provides a secure channel for all REST APIs by authenticating all requests. After successful authentication by the API Gateway, CtrlID (Control Daemon) passes all the requests to the respective daemons (that reside in the RBFS container) which are responsible for performing certain tasks.

## RBFS APIs

**CtrlID API:** CtrlID runs on the host OS and acts as a proxy to the other APIs including high-level APIs for the RBFS configurations. The CtrlID API, implemented by the CtrlID, performs various tasks such as starting the container and rebooting the device. In case of a software upgrade, this API is used to trigger the upgrade.

**API Gateway:** You can deploy the API Gateway Daemon (**ApiGwD**) on the host OS to secure the RBFS management plane. The API Gateway authenticates all API requests using JSON web tokens. The API Gateway Daemon acts as the TLS endpoint for the hardware platform and it converts external access token into an internal RtBrick token `/SEC/`. Finally, it forwards the requests to the **CtrlID**.

The API Gateway also enforces an API throttler that provides a mechanism called API throttle quotas to protect the RBFS system resources from being exhausted with too many requests by a single client system that uses the RBFS APIs very extensively.

**Operational State APIs:** The Operational State API, provided by the Operational State Daemon (**opsd**), allows accessing system states such as routing protocol states, interface states, subscriber states and resource utilization. The Operational State Daemon takes care of examining the operational state of a switch and runs actions to diagnose and troubleshoot the problems. The operational state is ephemeral and state data is lost when the switch reboots.

**RESTCONF APIs:** With RESTCONF, you can manage all the configurations in RBFS.

**Prometheus APIs:** Prometheus APIs help to retrieve metrics from various RBFS components for visibility.



RFC and draft compliance mentioned in the document are partial except as specified.

## 1.2. Controller Daemon

This chapter provides information about the Controller Daemon (CtrlID) which is a major software component in the RBFS ecosystem. It serves as a proxy to various APIs, including high-level APIs for RBFS configurations.

## 1.2.1. CtrID Overview

CtrID operates on the host OS (RtBrick Host) and it is the single entry point to the router running the RBFS software. CtrID controls and manages most of the tasks and functions in an RBFS ecosystem. You can run multiple instances of the CtrID on an RBFS device.

CtrID is deployed on RtBrick Host and acts as an intermediary between the RBFS container in the RtBrick Host and external systems. The following illustration presents a high-level overview of CtrID.

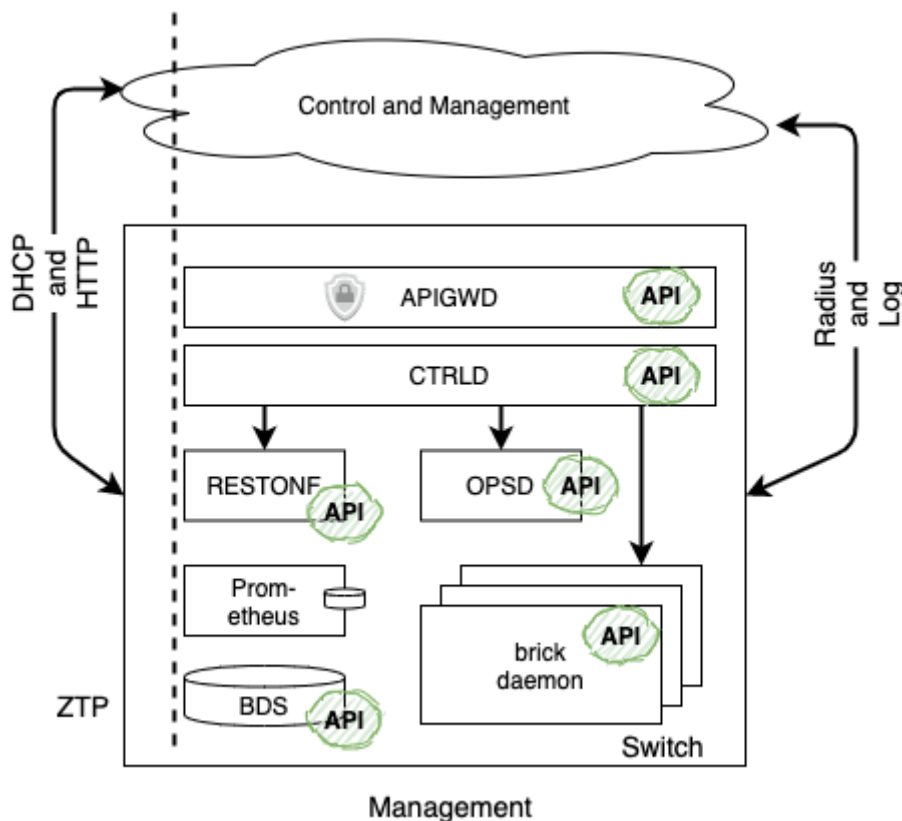


Figure 2. CtrID Overview

The CtrID API, implemented by CtrID, performs multiple tasks such as initiating the container and rebooting the device. In the event of a software upgrade, CtrID API is used to trigger the upgrade process.

CtrID also manages the container and controls the interaction between the different external systems such as Graylog. CtrID uses REST APIs to control and manage the router. CtrID is also responsible for gathering data from the router and forwarding this information to other systems.

CtrID plays different roles in an RBFS ecosystem. It is the gateway for all other

components interacting within or outside of an RBFS device. CtrlID acts as:

- Controller for router device running RBFS.
- Controller for elements in the device, such as LXC containers.
- Gateway to RBFS images and packages.

## 1.2.2. CtrlID Parameters

In a production environment, the CtrlID binary starts with default parameters as the `rtbrick-ctrlid` service. To see these default parameters, use the `ctrlid -h` command.

```
$ ctrlid -h
Usage of ctrlid:
  -addr string
      HTTP network address (default ":19091")
  -config string
      Configuration for the ctrlid (default "/etc/rtbrick/ctrlid/config.json")
  -lxcache string
      lxc Image Cache folder (default "/var/cache/rtbrick")
  -servefromfs
      Serves from filesystem, is only used for development
  -version
      Returns the software version
```

### CtrlID Version

The command `ctrlid -version` displays the installed version of the daemon. The version should be tagged correctly in the repository.

The CtrlID configuration can be located in the JSON file: `/etc/rtbrick/ctrlid/config.json`. Use the `cat` command to display the file content.

Example:

```
$ cat /etc/rtbrick/ctrlid/config.json
{
  "rbms_enable": true,
  "rbms_host": "http://198.51.100.77",
  "rbms_authorization_header": "Basic YWRtaW46YWRtaW4=",
  "rbms_heartbeat_interval": 600
}
```

## 1.2.3. Container Management

CtrlD serves as the manager for containers. However, the RBMS, an external RBFS management system, is not aware of these containers, necessitating a systematic mapping. Understanding the correlation between RBMS, CtrlD, and Linux Containers (LXC) is important.

RBMS contains various elements, each uniquely identified by a name, representing a running RBFS instance. You can upgrade or downgrade Elements.

Each RBMS Element includes services. These services not only characterize the Element's functionalities but also encapsulate the services running within it.

The foundational unit in the model is the 'element container', whether a single element exists on an RtBrick Host or not. The following figure illustrates the general structure of daemons and containers within the RBFS service model.

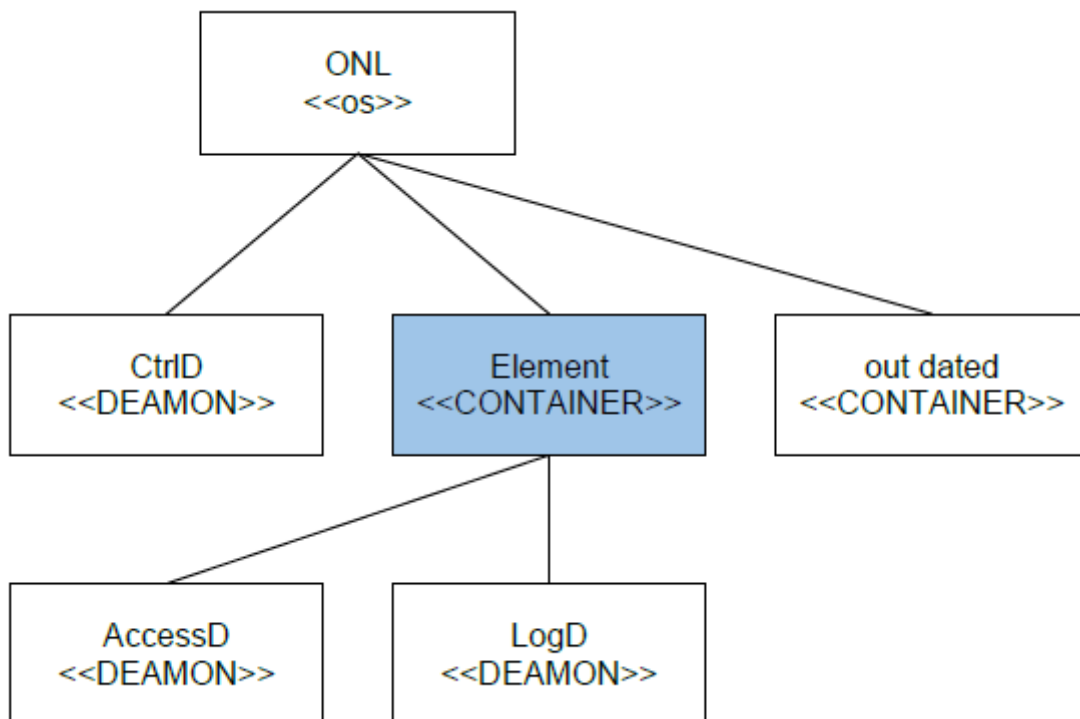


Figure 3. Service Model for RBFS

In the event of an Element undergoing upgrade or downgrade, the system automatically preserves the previous version within an outdated container. It enables the recovery of the outdated container, if the upgrade or downgrade fails. By maintaining the backup, it minimizes potential disruptions and safeguards against data loss.

Both 'element' and 'container' are different in RBFS. In RBFS, a container always refers to an `lxc-container`. However, in a white box environment, a container is denoted simply as `rtbrick`. To integrate them effectively into the RBMS, it is essential to assign them appropriate names for clarity and functionality.

You can configure the `element-name` and the `pod-name` of a container in the `lxc-container` root directory at: `/var/lib/lxc/rtbrick/element.confg`.

This method offers several benefits:

### Updating Container

- Upgrading or downgrading the containers (for example, upgrading to a higher version `rbrick-v2`).
- It is possible to stop the currently running container version 1 and to launch container version 2.
- It facilitates fast container updates. If an update fails, it can revert to the previous state by stopping the second container and restarting the first one.

### Rename Elements

If `element.config` is not available, default to using the element name as the container name.

## 1.2.4. Images Management

The images are stored within RtBrick Host at `/var/cache/lxc/rtbrick`. For each image, there is one subfolder: `/var/cache/lxc/rtbrick/<image-folder>`. You can identify the images based on a set of fields, as described in the following table.

*Image Identification Fields and Descriptions*

| Field        | Description   |
|--------------|---|
| organization | Organization that issued the image as reverse domain name (e.g. net.rtbrick).               |
| category     | Category which can be used to describe the purpose of the image. (e.g. customer-production) |
| platform     | Describes the Hardware Platform.  |
| vendor_name  | Vendor of the platform  |

| Field         | Description  |
|---------------|--|
| model_name    | Model of the platform  |
| image_type    | Image type (for example, LXC)  |
| image_name    | Image name (for example, rbfs)   |
| element_role  | Element role the image was built for (for example, LEAF).              |
| image_version | Image revision to be activated<br>{major}.{minor}.{patch}-{prerelease} |

## Image Repository

The image folder contains the following files:

- A `metadata.YAML` which identifies the image.

There can also be additional attributes in the file, but the attributes to identify an image have to be in the file.

An example of the RtBrick properties is shown below.

```
rtbrick_properties:
  organization: net.rtbriick
  category: customer-production
  platform:
    vendor_name: virtual/tofino
    model_name: virtual
  image_type: LXC
  role: LEAF
  image_name: rtbrick-rbfs
  image_version: 19.13.4-master
```

- A subfolder named `rootfs`
- The `config.tpl` file: This file is used to create the configuration file with the respective data in the template.

You can use the following syntax to add a property from the dictionary provided by `ctrlld`.

Therefore, `lxc.rootfs.path = dir:{{index . "rootfs"}}` results in `lxc.rootfs.path = dir:/var/lib/lxc/mega/rootfs`

## Image Download

CtrlD provides functionality to download images from a repository, therefore the URL to the image is provided by the caller.

Optionally, the checksum algorithm and the value can be provided, after downloading the image, the checksum will be verified.

### 1.2.5. Container and Element Management

LXC Containers are identified as elements if they have a `metadata.yaml` with the fields described above. These LXC containers can also be revised containers, which are created when an upgrade of a container takes place.

The revised element is named using the element name and a timestamp: `revised-{element-name}-{timestamp}`.



It is not possible to rename an element. For more information, see [How to rename LXD / LXC container](#).

A template engine to update the LXC configuration template is used for the container. Each container has the files in the `/var/lib/lxc/{container-name}` folder, as shown in Table 3.

*Files in the Container Folder*

| File          | Description   |
|---------------|---|
| config.tpl    | Template for lxc configuration<br>This file comes directly out of the image, and is stored in this folder for renaming the container. Because a rename recreates the config file. |
| config.data   | Data which was used to fill the templates (config, hostconfig).<br>This file is saved by ctrld, it is used by rename the container, because a rename recreates the configfile.    |
| metadata.yaml | Information about the image the container was built from.<br>And a lot more information.  |

The status of an image can be CACHED or ACTIVE, as described in the following table.

*Image Status States and Meaning*

| Status | Description  |
|--------|--|
| CACHED | This image is on the RtBrick Host  |
| ACTIVE | This image is on the RtBrick Host and is the image used for the actual container instance. |

## 1.2.6. CtrlID API

CtrlID has been designed with Domain Driven Design (DDD) principles. The model is divided into modules, known as Bounded Contexts in DDD. Similarly, the CtrlID API is organized into these modules. The CtrlID APIs are REST APIs that adhere to level 2 of the [Richardson Maturity Model](#).

You can find an API overview within each running CtrlID instance:

```
http://<hostname>:<port>/public/openapi/
```

The CtrlID API was redesigned when ported to the [Golang](#) programming language. To ensure extended backward compatibility, a module called [AntiCorruptionLayer](#) is introduced to address this issue.



Some older APIs may soon be deprecated or removed, use them with caution.

The following table shows the API tags used to group the APIs by their respective modules.

### REST API Tag Descriptions

| API Tag                   | Description  |
|---------------------------|--|
| anti_corruption_lay<br>er | These APIs are deprecated and are only present for older systems to ensure backward compatibility.                                 |
| client                    | These APIs are not provided by CtrlID, but rather, they are the APIs that a client must provide to use CtrlID's callback function. |
| ctrlid/config             | Configure CtrlID.  |
| ctrlid/containers         | Handle LXC containers (start, stop, delete, and list)  |
| ctrlid/elements           | Handle elements (start, stop, delete, upgrade, and config)   |

| API Tag       | Description  |
|---------------|--|
| ctrlld/rbfs   | Handle calls that come from the RBFS.  |
| ctrlld/images | Handle all requests regarding RBFS images. (download, delete, and list)                    |
| ctrlld/jobs   | Get information about asynchronous tasks.  |
| ctrlld/info   | General information about CtrlID such as version, image, and so on.                        |
| ctrlld/events | For the publish/subscribe sub-model, register for an event and stay informed about events. |
| ctrlld/system | Communication with the underlying host system.   |
| rbfs          | Communication with an RBFS element such as Proxy, File Handling, and so on.                |

### 1.2.7. Jobs and Callbacks

The Jobs API is needed for asynchronous API calls. Asynchronous API calls can be used with a callback, so that the caller is informed when the job is finished, or can be used with a polling mechanism. The Job API polling asks if the job is finished. This is sometimes easier to implement, especially for scripts like robot.

The callback mechanism uses a retry handler. The retry handler performs automatic retries under the following conditions:

- If an error is returned by the client (such as a connection error), then the retry is invoked after a waiting period.
- If a 500-range response code is received (except for 501 **not implemented**), then the retry is invoked after a waiting period.
- For a 501 response code and all other possibilities, the response is returned and it is up to the caller to interpret the reply.

### 1.2.8. Pub-Sub Model

CtrlID uses a publisher and subscriber model. This model is needed for features not implemented directly in CtrlID, such as ZTP.

For example, the ZTP daemon (ZTPD) can subscribe to events, and ZTPD is

informed if the event occurs in CtrlID.

## 1.2.9. CtrlID Logs

The log files for CtrlID are stored at `/var/log/rtbrick-ctrlid.log`, and are rotated with `logrotate`. The log rotation configuration is stored at `/etc/logrotate.d/rtbrick-ctrlid`.

## 1.3. Functions and Use cases of RBFS REST APIs

### 1.3.1. CtrlID API

The CtrlID performs various functions in the lifecycle of an RBFS container. Zero-Touch Provisioning installs the RBFS software on the hardware devices with minimal human intervention. It is the responsibility of the CtrlID to initiate, discover and download the startup configuration files as part of zero-touch provisioning (ZTP) process. The CtrlID retrieves the base URL and executes the startup configuration on the device, that is pre-installed with ONL, the host operating system.

CtrlID API acts as a proxy endpoint that defines the way the API proxy interacts with the backend services. CtrlID is a go-between, which sits in the middle, for requests from clients and the API. As the API proxy, CtrlID, resides in front of the API, enforcing policies that dictate the usage of the API.

CtrlID API can be used to reboot the switch with or without a software upgrade. As a proxy endpoint, users can access the following APIs through CtrlID:

- RESTCONF API
- Operational State API
- Prometheus API

For more information about CtrlID API use case and examples, see section *5.1. CtrlID API: Use Case and Example*'.

To view the CtrlID API Reference, navigate to [RBFS APIs](#), and select [CTRLD API Reference](#) from the drop-down list.

## 1.3.2. RESTCONF API

RESTCONF is an HTTP-based REST API protocol for network management and automation. It provides a programmatic interface for accessing data defined in YANG. The YANG model describes the configuration syntax. In RBFS, the RESTCONF API provides the configuration data.

Users can use RESTCONF API to execute various configurations in RBFS. RESTCONF API can be used for the following tasks:

- Read configurations
- Replace configurations
- Partial configuration update
- Remove configurations

For more information about RESTCONF API use case and examples, see section *5.2. RESTCONF API: Use Case and Example*.

To view the RESTCONF API Reference, navigate to [RBFS APIs](#), and select [RESTCONF API Reference](#) from the drop-down list.

## 1.3.3. Operational State API

The Operational State API ([ospd](#)) provides the system state information. The [ospd](#) is backward compatible and supports running older and newer versions of applications together in the network. The Backward compatibility feature is useful whenever newer RBFS releases are rolled out.

The Operational State API was implemented using the Python language that provides a collaborative system to all stakeholders including integration partners, customers, professional services and engineering to collaborate on the API endpoints.

To view the Operational State API Reference, navigate to [RBFS APIs](#), and select [Operational State API Reference](#) from the drop-down list.

For more information about Operational State API use case and examples, see section *5.3. Operational State API: Use Case and Example*.

### 1.3.4. Guidelines and Limitations

When you execute configurations through management APIs, and then with the Command Line Interface at the same time, it results in conflicts when you commit the configuration through the CLI. The reason is that CtrlID directly interacts with the backend applications and these changes are not synced with the CLI.

## 1.4. Configure API Gateway and CtrlID Components

The section provides configuration information for various components of the API Gateway and CtrlID. Both the API Gateway and CtrlID have been installed as part of the RBFS installation on the host operating system. You must complete some additional configurations for running API Gateway and CtrlID.

### 1.4.1. Configure API Gateway Components

The API Gateway service is called `rtbrick-apigwd` and the API Gateway daemon contains some default parameters.

- To know the installed API gateway version, run the `apigwd -version` command.
- To display the default settings and the location of configuration files, run the `apigwd -help` command.

The mandatory API Gateway configuration files include:

- API Gateway configuration file: `/etc/rtbrick/apigwd/config.json`
- JWKS file for access token verification: `/etc/rtbrick/apigwd/access_secret_jwks.json`
- X509 public/private key file in the 'pem' format: `/etc/rtbrick/apigwd/tls.pem`

### SSL/TLS Certificate

API Gateway uses Transport Layer Security (TLS), also known as Secure Sockets Layer (SSL), certificates to authenticate and secure all requests pass through API Gateway.

If there is no TLS certificate provided, API Gateway generates one certificate signed by a self-signed root CA.

You can specify a TLS certificate in any of the following ways:

- Deploy the TLS file through ZTP
- Provide the URL for TLS file downloading in the `config.json` file.

With this setting, API Gateway monitors the server periodically for new TLS files using the HTTP caching directives as described in the [RFC 7234](#) to avoid unnecessary downloads.

### tls.pem file

The `tls.pem` file, which contains the X509 certificate (public and private key), enables TLS in PEM format (as described in the [RFC 7468](#)). The `tls.pem` file can be changed on the file system. API Gateway automatically reloads the `tls.pem` file whenever it gets changed or replaced.

*/etc/rtbrick/apigwd/tls.pem example*

```
-----BEGIN CERTIFICATE-----  
NOT A REAL KEY  
-----END CERTIFICATE-----  
-----BEGIN RSA PRIVATE KEY-----  
NOT A REAL KEY  
-----END RSA PRIVATE KEY-----
```

## JSON Web Token File

JSON Web Token ([RFC 7517](#)) enables secure transmission of information between client and server as a JSON object. API Gateway validates the access token against a JSON Web Key Set (JWKS) and it allows specifying two sources for the keyset. The sources are consulted in the following order for validation:

### A local file on the file system

This file can be deployed through ZTP. It is recommended to deploy a local file on the file system. If it is an empty key set file, there is a default pre-configured file on the system that is used.

### Remote file URLs through the config.json

You can provide the JWKS remote file URLs through the `config.json` file. Whenever a token needs to be verified, a JWKS file gets downloaded.

Whenever an access token needs to be verified, the API Gateway queries the server for the current JWKS file using the HTTP caching directives (as described in [RFC 7234](#)) to avoid unnecessary downloads.



An RFC 7234-compliant cache is used for downloading the configuration file.

## JSON Web Key Set

The JSON Web Key Set contains the public keys used to verify any JSON Web Token issued by the authorization system.

The `access_secret_jwks.json` file can be updated on the file system.

API Gateway automatically reloads the `tls.pem` file whenever it gets changed or replaced.

*/etc/rtbrick/apigwd/access\_secret\_jwks.json example*

```
{
  "keys": [
    {
      "kty": "RSA",
      "e": "AQAB",
      "use": "sig",
      "kid": "access",
      "alg": "RS256",
      "n": "NOT A REAL KEY"
    }
  ]
}
```

These keys authenticate external requests coming to the API Gateway. The right key is selected by the `kid` (key id) attribute. With this key, the access tokens are verified and converted into an RtBrick token.

## config.json File

The `config.json` is the configuration file of the API Gateway. API Gateway automatically reloads the file whenever it gets changed or replaced.

*/etc/rtbrick/apigwd/config.json example*

```
{
  "access_token_jwks_urls": [
    "http://192.168.202.56:8080/primaryJWKS",
    "http://192.168.202.56:8080/secondaryJWKS"
  ],
}
```

```

"request_rate": 5,
"request_burst": 10,
"report_rejects_every": 10
}

```

The following table presents the various attributes and the description of the `config.json` file.

*/etc/rtbrick/apigwd/config.json format*

| Name                          | Type     | Description  |
|-------------------------------|----------|--|
| <b>access_token_jwks_urls</b> | []string | Allows to specify multiple JWKS remote URLs.   |
| <b>Remote PEM file</b>        |          |  |
| <b>pem_urls</b>               | []string | Allows to specify multiple PEM remote URLs. Empty list disables the download.              |
| <b>pem_reload_time</b>        | int      | Allows to specify the time after a new reload is triggered. 0 disables the download.       |
| <b>Request rate limit</b>     |          |  |
| <b>request_rate</b>           | float    | The allowed requests per second per client.  |
| <b>request_burst</b>          | int      | Is the maximum number of tokens that can be consumed at once, without respect to the rate. |
| <b>report_rejects_every</b>   | int      | Report rejects only every x seconds to avoid massive logging to a GELF endpoint.           |

## 1.4.2. Control Daemon (CtrlD)

The CtrlD service is called `rtbrick-ctrlid` and the CtrlD contains some default parameters.

- To know the installed CtrlD version, run the `ctrlid -version` command.
- To display the default settings and the location of configuration files, run the `ctrlid -help` command.

The CtrlD configuration files include:

- The CtrlD configuration file: `/etc/rtbrick/ctrlid/config.json`
- The Role-Based Access Control policy file: `/etc/rtbrick/ctrlid/policy.json`

- The element configuration file for the container: `/var/lib/lxc/<container-name>/element.config`

## config.json file

The `config.json` file can be changed using API. If the file is updated on the file system, CtrlD must be restarted.



Changes to the `config.json` file will come into effect only after CtrlD gets restarted. Use the CtrlD API to apply in-service configuration changes at runtime. CtrlD updates the `config.json` file to get the changes applied through the API persistent.

*/etc/rtrbrick/ctrlld/config.json example*

```
{
  "element_name": "element_name",
  "pod_name": "pod_name",
  "rbms_enable": true,
  "rbms_host": "http://198.51.100.48",
  "rbms_authorization_header": "Bearer THIS IS NOT A REAL KEY",
  "rbms_heartbeat_interval": 10,
  "logging": {
    "heartbeat_interval": 60,
    "aliases": {
      "default": {
        "endpoints": [
          {
            "type": "gelf",
            "max_log_level": 5,
            "buffer_size": 500,
            "network": "http",
            "address": "http://10.200.32.49:12201/gelf"
          },
          {
            "type": "syslog",
            "max_log_level": 5,
            "buffer_size": 30,
            "network": "udp",
            "address": "10.200.32.49:516"
          }
        ]
      }
    }
  },
  "ztp": {
    "endpoints": [
      {
        "type": "gelf",
        "max_log_level": 4,
        "buffer_size": 20,
        "network": "http",
        "address": "http://10.200.32.49:12201/gelf"
      }
    ]
  }
}
```

```

    }
  },
  "auth_enabled": false
}

```

The following table presents the various attributes and descriptions for `CtrlID config.json` file.

*/etc/rtrbrick/ctrlid/config.json format*

| Name                             | Type   | Description  |
|----------------------------------|--------|--|
| <b>element_name</b>              | string | The name of the element (container).   |
| <b>pod_name</b>                  | string | The pod name. Pod stands for point (zone) of deployment. A pod can contain a group of elements.    |
| <b>rbms_enable</b>               | bool   | To enable all RBMS outgoing messages<br>rbms_host.   |
| <b>rbms_host</b>                 | string | RBMS base URL. For example,<br><a href="http://198.51.100.144:9009">http://198.51.100.144:9009</a> |
| <b>rbms_authorization_header</b> | string | RBMS Authorization Header is set to all calls which are outgoing to RBMS.                          |
| <b>rbms_heartbeat_interval</b>   | int    | RBMS heartbeat interval in seconds ( 0 means deactivated)  |
| <b>auth_enabled</b>              | bool   | To enable the authorization and authentication.  |

**logging**

Log configuration for the host personality of the switch. The routing instances (elements) can configure the logging in the RBFS configuration, and that is forwarded, for the routing instance, to CtrlID. The alias (also known as external log server or Plugin Alias) **default** acts as the default alias if a specific alias is not defined.

| Name         | Type   | Description   |
|--------------|--------|---|
| <b>alias</b> | string | Logical name of the endpoints. For example, ztp for ztp messages. |

Each alias can have multiple endpoints. If an alias does not define any endpoint, the alias is disabled and the message is not sent and to the default alias.

| Name                 | Type   | Description  |
|----------------------|--------|--|
| <b>type</b>          | string | Type could be <b>syslog</b> or <b>gelf</b> .   |
| <b>max_log_level</b> | string | MaxLogLevel that will be forwarded (default "Notice: 5")   |
| <b>network</b>       | string | Network get network either tcp, udp or http. Consider the support matrix: * gelf: <b>http</b> * syslog: <b>udp</b> , <b>tcp</b>                                  |
| <b>buffer_size</b>   | string | BufferSize that will be used for the fanout, if the buffer is full, the newer messages that arrive are thrown away.  |
| <b>address</b>       | string | Address where to send the message  |
| <b>formatter</b>     | string | The formatter that should be used. Consider the support matrix: <ul style="list-style-type: none"> <li>• gelf: none</li> <li>• syslog: <b>rfc5424</b></li> </ul> |

## policy.json file

The policy.json file is used to configure role-based access control (RBAC) for CtrlID. This file can be changed using API. If it is changed on the file system, CtrlID must be restarted.

*/etc/rtbrick/ctrlid/policy.json example*

```
{
  "permissions": [
    {"sub": "system", "obj": "/*", "act": ".*" },
    {"sub": "supervisor", "obj": "/*", "act": ".*" },
    {"sub": "operator", "obj": "/*", "act": ".*"},
    {"sub": "reader", "obj": "/*", "act": "GET"},
    {"sub": "reader", "obj":
"/api/v1/rbfs/elements/{element_name}/services/{service_name}/proxy/bds/table/walk
", "act": ".*"},
    {"sub": "reader", "obj":
"/api/v1/rbfs/elements/{element_name}/services/{service_name}/proxy/bds/object/get
", "act": ".*"}
  ]
}
```

*/etc/rtbrick/ctrlid/policy.json format*

| Name       | Type   | Description   |
|------------|--------|---|
| <b>sub</b> | string | Subjects means the role which has the permission. Here <b>RegexMatch Function</b> is used: a regular expression pattern matcher.  |
| <b>obj</b> | string | Object is the REST endpoint. Here <b>KeyMatch4 Function</b> is used: KeyMatch4 determines whether key1 matches the pattern of key2 (similar to RESTful path), key2 can contain a * and other patterns: <ul style="list-style-type: none"> <li>"/foo/bar" matches "/foo/"</li> <li>"/resource1" matches "{resource}"</li> <li>"/parent/123/child/123" matches<br/>"/parent/{id}/child/{id}"</li> <li>"/parent/123/child/456" does not match<br/>"/parent/{id}/child/{id}"</li> </ul> |

| Name       | Type   | Description  |
|------------|--------|--|
| <b>act</b> | string | And Action is the HTTP Method. Here <a href="#">RegexMatch Function</a> is used: a regular expression pattern matcher. |

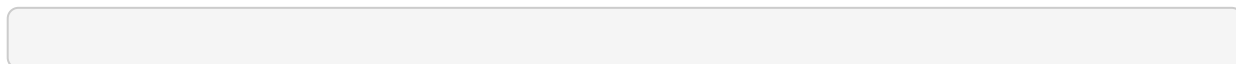
The rules are:

- The user with the role 'system' can access all the rest endpoints and act on them with all HTTP methods.
- The user with the role 'reader' can access all rest endpoints; but can only call the HTTP GET method.
- All authenticated users are allowed to access the proxy endpoint with all HTTP methods.

## element.config file

The [element.config](#) file allows to rename the default element name. By default, the element name and the container name are the same. You can use the file to rename the default element name so that the element name and the container name are differentiated.

*/var/lib/lxc/<container-name>/element.config example*



*/var/lib/lxc/<container-name>/element.config format*

| Name                | Type   | Description  |
|---------------------|--------|--|
| <b>element_name</b> | string | Name of the element (By default, it is the container name).  |
| <b>pod_name</b>     | string | Name of the PoD.   |
| <b>ztp_enabled</b>  | bool   | If enabled, the ZTP post process starts when the switch is moved to the operational state "up". It is recommended to set this to 'false'. In that case, only the initial installation or reinstallation triggers that process. |

## 1.5. Events

RBFS REST APIs play important roles in fetching event logs. Event logs are records of events that occur in the different functional areas of the RBFS ecosystem. In RBFS, there are different types of logs. Almost every daemon or module in RBFS generates a variety of logs. All these logs, which are generated from different components, can be exported to the log management server, where you can view and analyze the real-time data.

Log events originate from the RBFS log facility and form a structured log record. If logging is disabled, then no logs are produced. For more information about RBFS Logging, see [undefined/techdocs/current/loggingug/logging\\_intro.html](#)[Logging User Guide].

### 1.5.1. Alerts

Alerts are event logs that originate from alert configurations. Alerts either report an issue or notify that an issue has been resolved. Alerts are fully under the control of a customer. Users can implement alert rules to produce an alert that triggers automated action in the management system. An alert event is also a business event when it triggers automated actions.

### 1.5.2. Business Events

A business event is a record of events that originate from the control daemon, irrespective of the logging configuration. Business events notify the management system about significant state changes for triggering automated actions.

Business events are recorded by CtrlID and these events are static without any changes release after release.

APIGwD and CtrlID send different GELF and Syslog messages about status changes or the progress of processes to a GELF or Syslog endpoint.

The following table presents the business event message format:

*GELF message format*

| Name                          | Type | Mandatory | Description |
|-------------------------------|------|-----------|-------------|
| <b>Default Message Fields</b> |      |           |             |

| <b>Name</b>          | <b>Type</b> | <b>Mandatory</b> | <b>Description</b>   |
|----------------------|-------------|------------------|--|
| <b>version</b>       | String      | Yes              | The GELF message format version. Default value: 1.1  |
| <b>host</b>          | String      | Yes              | The hostname is assigned via DHCP to the management interface. Defaults to the management IP address if no hostname is assigned.   |
| <b>level</b>         | int         | Yes              | Message Severity. See Table-1.   |
| <b>timestamp</b>     | float       | Yes              | Unix epoch time in seconds with an optional fraction of milliseconds.  |
| <b>short_message</b> | String      | Yes              | Problem message.   |
| <b>full_message</b>  | String      | No               | Detailed problem description.  |
| <b>_daemon</b>       | String      | Yes              | Name of the daemon.  |
| <b>_log_module</b>   | String      | Yes              | The module name identifies the component that created the log record. It allows segregating log records into different streams. Each stream can apply different processing rules and also be processed by different organizational units of the network operator.  |
| <b>_log_event</b>    | String      | Yes              | The log event identifies the log message template in the log configuration. The log event simplifies finding where in the system the log record was created. The log event should be succinct and typically conveys a unique reason code. In addition, the log event should be a reference that can be looked up in the product troubleshooting guide. |

| Name                          | Type   | Mandatory | Description   |
|-------------------------------|--------|-----------|---|
| <b>_serial_number</b>         | String | Yes       | The serial number of the switch. This allows tracking hardware replacements, even if the element name remains the same. Empty if not available.   |
| <b>_rtb_image_version</b>     | String | No        | RtBrick Host Image Version that is installed on the switch that reports this message.   |
| <b>_origin</b>                | String | No        | <b>host</b> or <b>container</b> , defines the origin of a message. This is only set for events that are ambiguous.  |
| <b>ZTP Message Fields</b>     |        |           |   |
| <b>_config_name</b>           | String | No        | Exposes the loaded configuration name. Only set when a configuration file was processed or an attempt to process the file failed (e.g., 404 Not Found response from the HTTP server while attempting to load the configuration) |
| <b>_config_sha1</b>           | String | No        | Exposes the SHA1 checksum of the loaded configuration. Only set when the HTTP server returns a configuration.   |
| <b>_operational_state</b>     | String | No        | Exposes the operational state of the element.   |
| <b>Request Message Fields</b> |        |           |   |
| <b>_rid</b>                   | String | No        | Request ID, either <b>X-Request-ID</b> or new generated   |
| <b>_user_name</b>             | String | No        | User name out of the access token   |
| <b>_user_subject</b>          | String | No        | User subject out of the access token  |
| <b>_received_time</b>         | String | No        | Time when the requested arrived   |
| <b>_method</b>                | String | No        | HTTP method   |
| <b>_url</b>                   | String | No        | HTTP url  |

| Name                              | Type   | Mandatory | Description   |
|-----------------------------------|--------|-----------|---|
| <b>proto</b>                      | String | No        | HTTP protocol   |
| <b>_remote_ip</b>                 | String | No        | HTTP remote ip address  |
| Service State Message Fields      |        |           |   |
| <b>_service_name</b>              | String | No        | Service name  |
| <b>_service_operational_state</b> | String | No        | Operational Service   |
| <b>_service_startup_time</b>      | Number | No        | Service startup time in unix epoch time, the number of seconds elapsed since January 1, 1970 UTC.     |
| <b>_service_down_flap_time</b>    | Number | No        | Last down flap time in unix epoch time, the number of seconds elapsed since January 1, 1970 UTC.      |
| <b>_service_down_flap_counter</b> | Number | No        | Last down flap time in unix epoch time, the number of seconds elapsed since January 1, 1970 UTC.      |
| <b>_service_restarted</b>         | String | No        | Restart is set to true if <b>service_startup_time</b> was changed.                                    |
| <b>_service_scope</b>             | String | No        | Either "host" or "container" indicates if the service is running in the host or inside the container. |

*Level Descriptions as in RFC 5424*

| Level    | Name                 | Comment                          |
|----------|----------------------|----------------------------------|
| <b>0</b> | <b>Emergency</b>     | System is unusable               |
| <b>1</b> | <b>Alert</b>         | Action must be taken immediately |
| <b>2</b> | <b>Critical</b>      | Critical conditions              |
| <b>3</b> | <b>Error</b>         | Error conditions                 |
| <b>4</b> | <b>Warning</b>       | Warning conditions               |
| <b>5</b> | <b>Notice</b>        | Normal but significant condition |
| <b>6</b> | <b>Informational</b> | Informational messages           |
| <b>7</b> | <b>Debug</b>         | Debug-level messages             |

*GELF sample message*

```
{
  "_config_name": "ctrlld",
  "_config_sha1": "f1e06ef1e53becde6f8baf2b2fafa7dc9c36f6f0",
  "_daemon": "ctrlld",
  "_element_name": "leaf01",
  "_log_event": "ZTP0011I",
  "_log_module": "ztp",
  "_serial_number": "591654XK1902037",
  "host": "leaf01",
  "level": 6,
  "short_message": "ztp ctrlld config set",
  "timestamp": 1588382356.000511,
  "version": "1.1"
}
```

*Event Types*

| <b>Instance</b> | <b>severity</b> | <b>log_module</b> | <b>log_event</b> | <b>log_config</b> | <b>description</b>                  |
|-----------------|-----------------|-------------------|------------------|-------------------|-------------------------------------|
| ztp             | Notice          | ztp               | ZTP0011I         | ctrlld            | ztp ctrlld config set               |
| ztp             | Warn            | ztp               | ZTP0012W         | ctrlld            | ztp ctrlld config not provided      |
| ztp             | Alert           | ztp               | ZTP0013E         | ctrlld            | ztp ctrlld config not set           |
| ztp             | Notice          | ztp               | ZTP0021I         | ctrlld            | ztp startup config set              |
| ztp             | Warn            | ztp               | ZTP0022W         | ctrlld            | ztp startup config not provided     |
| ztp             | Alert           | ztp               | ZTP0023E         | ctrlld            | ztp startup config not set          |
| ztp             | Notice          | ztp               | ZTP0041I         | ctrlld            | ztp ctrlld rbac config set          |
| ztp             | Warn            | ztp               | ZTP0042W         | ctrlld            | ztp ctrlld rbac config not provided |
| ztp             | Alert           | ztp               | ZTP0043E         | ctrlld            | ztp ctrlld rbac config not set      |
| ztp             | Notice          | ztp               | ZTP0051I         | ctrlld            | ztp tls config set                  |
| ztp             | Warn            | ztp               | ZTP0052W         | ctrlld            | ztp tls config not provided         |
| ztp             | Alert           | ztp               | ZTP0053E         | ctrlld            | ztp tls config not set              |
| ztp             | Notice          | ztp               | ZTP0061I         | ctrlld            | ztp accessjwks config set           |
| ztp             | Warn            | ztp               | ZTP0062W         | ctrlld            | ztp accessjwks config not provided  |
| ztp             | Alert           | ztp               | ZTP0063E         | ctrlld            | ztp accessjwks config not set       |
| ztp             | Notice          | ztp               | ZTP0071I         | ctrlld            | ztp apigwd config set               |

|          |        |          |          |        |  |
|----------|--------|----------|----------|--------|--|
| ztp      | Warn   | ztp      | ZTP0072W | ctrlld | ztp apigwd config not provided   |
| ztp      | Alert  | ztp      | ZTP0073E | ctrlld | ztp apigwd config not set  |
| ztp      | Notice | ztp      | ZTP1000I | ctrlld | ztp process finished   |
| security | Warn   | security | SEC0001W | ctrlld | access forbidden   |
| security | Warn   | security | SEC0002W | ctrlld | access invalid rtb token   |
| security | Warn   | security | SEC0003W | ctrlld | access invalid access token  |
| security | Warn   | security | SEC0004W | ctrlld | not able to download remote keys   |
| security | Warn   | security | SEC0005W | ctrlld | not able to download remote pem  |
| security | Warn   | security | SEC0006W | ctrlld | request rate limited (this message is also rate limited, and can be controlled in the apiwd config)                          |
| element  | Notice | element  | HTB0001  | ctrlld | heartbeat with the <b>operational_state</b>  |
| element  | Notice | element  | STA0001  | ctrlld | element state change   |
| element  | Notice | element  | STA0021  | ctrlld | service up   |
| element  | Error  | element  | STA0022  | ctrlld | service unexpected down  |
| element  | Notice | element  | STA0023  | ctrlld | service expected down  |
| element  | Notice | element  | STA0003  | ctrlld | ready for service  |
| element  | Notice | element  | STA0031  | ctrlld | module new (one of the modules is newly discovered e.g. fan, SFP ..., this event will be fired after every reboot of ctrlld) |

|            |        |         |         |         |  |
|------------|--------|---------|---------|---------|--|
| element    | Notice | element | STA0032 | ctrlId  | module parameter changed (one of the parameters of the module got changed e.g. fan, SFP ...) |
| element    | Notice | element | STA0033 | ctrlId  | module removed (one of the modules got removed e.g. fan, SFP ...)                            |
| ALL        | Notice | element | STA0040 | all     | messages could have been dropped   |
| prometheus | ?      | ?       | ?       | element | messages generated by prometheus alerts  |

## 1.6. Appendix: Use case Scenario and Examples for RBFS REST APIs

### 1.6.1. CtrlID API: Use Cases and Examples

A single CtrlID instance can serve multiple RBFS containers. Each container forms a network element and has a unique name which is the 'element name'.

All API calls (requests) to an RBFS container contain the element name in the URL path.



*BNG* is used as the element name in the following examples.  
NOTE: *10.0.0.1* is used as the management IP address in the following examples.

### Rebooting a Switch

This example shows how to reboot the switch.

Rebooting a switch is an example of an *asynchronous* operation.

The API call returns the acknowledgment immediately that the reboot request has been *accepted* (HTTP Status Code 202).

The following list shows the HTTP request to reboot switch 10.0.0.1. The URL contains no element name because the entire switch will be rebooted.

```
POST /api/v1/ctrlld/system/_reboot HTTP/1.1
Host: 10.0.0.1:19091
```

## Triggering a Software Upgrade

A software upgrade can be performed by executing the Zero-Touch Provisioning (ZTP) process again. The switch will be rebooted in Open Network Install Environment (ONIE) update mode and allow ONIE to discover the OS installer image and startup configuration files from the ZTP server.

Rebooting a switch is an example of *asynchronous* operation.

The API call returns a response immediately that the reboot request has been *accepted* (HTTP Status Code 202).

The following example shows the HTTP request to reboot switch 10.0.0.1. The URL contains no element name because the entire switch will be rebooted.

```
POST /api/v1/ctrlld/system/_update HTTP/1.1
Host: 10.0.0.1:19091
```

## Using the Proxy Endpoint

The CtrlID proxy endpoint forwards API calls to the daemons hosting the API in the RBFS container. Three daemons host publicly available APIs:

- **opsd**, the operational state daemon, hosts the Operational State API.
- **restconfd**, the RESTCONF daemon, hosts the RESTCONF API.
- Prometheus hosts the Prometheus API.



All examples in the following sections use the CtrlID proxy endpoint.

The following table summarizes the proxy endpoint paths for the daemons: **opsd**, **restconfd**, and **Prometheus** and an element named *BNG*.

| Daemon                          | Path   |
|---------------------------------|--|
| Operational State Daemon (opsd) | <code>/api/v1/rbfs/elements/cnbg-1/services/opspd/proxy</code> |

| Daemon                      | Path   |
|-----------------------------|--|
| RESTCONF Daemon (restconfd) | <a href="#">/api/v1/rbfs/elements/cnbg-1/services/restconfd/proxy</a>  |
| Prometheus                  | <a href="#">/api/v1/rbfs/elements/cnbg-1/services/prometheus/proxy</a> |

## 1.6.2. RESTCONF API: Use Cases and Examples

### Reading the Current Configuration

The following request returns the complete switch configuration.

```
GET /api/v1/rbfs/elements/BNG/services/restconfd/proxy/restconf/data HTTP/1.1
Host: 10.0.0.1:19091
```

### Reading the Time-series Settings

The [RESTCONF Protocol RFC](#) describes a comprehensive query syntax, which allows retrieving certain parts of the configuration.

The following API call retrieves all the time-series settings.

```
GET /api/v1/rbfs/elements/BNG/services/restconfd/proxy/restconf/data/rtbrick-
config:time-series HTTP/1.1
Host: 10.0.0.1:19091
```

```
{
  "rtbrick-config:time-series": {
    "metric": [
      {
        "name": "subscriber_sessions",
        "table-name": "local.access.subscriber.count",
        "bds-type": "object-metric",
        "prometheus-type": "gauge",
        "description": "Established subscriber sessions",
        "attribute": [
          {
            "attribute-name": "ipoe_established",
            "label": [
              {
                "label-key": "access_type",
                "label-value": "ipoe",
                "label-type": "static"
              },
              {
                "label-key": "ifp_name",
```



```

    }
  ]
}

```

RESTCONF also allows filtering for a specific time series.

```

GET /api/v1/rbfs/elements/BNG/services/restconfd/proxy/restconf/data/rtbrick-
config:time-series/metric=subscriber_sessions HTTP/1.1
Host: 10.0.0.1:19091

```

```

{
  "rtbrick-config:metric": [
    {
      "name": "subscriber_sessions",
      "table-name": "local.access.subscriber.count",
      "bds-type": "object-metric",
      "prometheus-type": "gauge",
      "description": "Established subscriber sessions",
      "attribute": [
        {
          "attribute-name": "ipoe_established",
          "label": [
            {
              "label-key": "access_type",
              "label-value": "ipoe",
              "label-type": "static"
            },
            {
              "label-key": "ifp_name",
              "label-value": "ifp_name",
              "label-type": "dynamic"
            }
          ]
        }
      ]
    }
  ]
}

```

In addition, RESTCONF allows querying the key values. The following API call selects the names of the configured time-series metrics.

```

GET /api/v1/rbfs/elements/BNG/services/restconfd/proxy/restconf/data/rtbrick-
config:time-series/metric=/name HTTP/1.1
Host: 10.0.0.1:19091

```

```

{
  "rtbrick-config:name": [
    "subscriber_sessions",

```

```

    "total_cpu_util_percent",
    "total_memory_free_kilobyte",
    "total_memory_used_kilobyte"
  ]
}

```

## Adding a New Time-series

The RESTCONF API also allows replacing and adding new configurations to an existing configuration. The data is exchanged in JSON format.



The **Content-Type** header must be set to **application/yang-data+json**.

YANG is a modeling language that is used to describe the configurations. The RESTCONF Open API definition is generated from the YANG models and contains a reference to the respective YANG model.

The following API request adds a new **default\_bgp\_prefixes\_count** time-series to the RBFS configuration.

```

PUT /api/v1/rbfs/elements/BNG/services/restconfd/proxy/restconf/data/rtbrick-
config:time-series/metric=default_bgp_prefixes_count HTTP/1.1
Host: 10.0.0.1:19091
Content-Type: application/yang-data+json
Content-Length: 4315

```

```

{
  "rtbrick-config:metric": [
    {
      "name": "default_bgp_prefixes_count",
      "table-name": "default.bgp.peer",
      "bds-type": "object-metric",
      "prometheus-type": "gauge",
      "description": "BGP peerings default instance",
      "attribute": [
        {
          "attribute-name": "ipv4_unicast_update_rcvd_cnt",
          "label": [
            {
              "label-key": "afi",
              "label-value": "ipv4",
              "label-type": "static"
            },
            {
              "label-key": "direction",
              "label-value": "in",
              "label-type": "static"
            },
            {
              "label-key": "peer",
              "label-value": "peer_ipv4_address",
            }
          ]
        }
      ]
    }
  ]
}

```

```

        "label-type": "dynamic"
      },
      {
        "label-key": "safi",
        "label-value": "unicast",
        "label-type": "static"
      }
    ]
  },
  {
    "attribute-name": "ipv4_unicast_update_sent_cnt",
    "label": [
      {
        "label-key": "afi",
        "label-value": "ipv4",
        "label-type": "static"
      },
      {
        "label-key": "direction",
        "label-value": "out",
        "label-type": "static"
      },
      {
        "label-key": "peer",
        "label-value": "peer_ipv4_address",
        "label-type": "dynamic"
      },
      {
        "label-key": "safi",
        "label-value": "unicast",
        "label-type": "static"
      }
    ]
  },
  {
    "attribute-name": "ipv6_unicast_update_rcvd_cnt",
    "label": [
      {
        "label-key": "afi",
        "label-value": "ipv6",
        "label-type": "static"
      },
      {
        "label-key": "direction",
        "label-value": "in",
        "label-type": "static"
      },
      {
        "label-key": "peer",
        "label-value": "peer_ipv4_address",
        "label-type": "dynamic"
      },
      {
        "label-key": "safi",
        "label-value": "unicast",
        "label-type": "static"
      }
    ]
  },
  {
    "attribute-name": "ipv6_unicast_update_sent_cnt",

```

```

        "label": [
          {
            "label-key": "afi",
            "label-value": "ipv6",
            "label-type": "static"
          },
          {
            "label-key": "direction",
            "label-value": "out",
            "label-type": "static"
          },
          {
            "label-key": "peer",
            "label-value": "peer_ipv4_address",
            "label-type": "dynamic"
          },
          {
            "label-key": "safi",
            "label-value": "unicast",
            "label-type": "static"
          }
        ]
      }
    ]
  }
}

```

The API returns a **201 Created** response if a new metric was added and returns **204 No Content** if an existing metric got updated.

## Removing a Time-series

The following API request removes the **default\_bgp\_prefixes\_count** time series from the switch configuration.

```

DELETE /api/v1/rbfs/elements/BNG/services/restconfd/proxy/restconf/data/rtbrick-
config:time-series/metric=default_bgp_prefixes_count HTTP/1.1
Host: 10.0.0.1:19091

```

The API returns a **204 No Content** response if the delete operation succeeded. Any API call to remove a configuration that does not exist results in a **409 Conflict** error response.

Example Response:

```

{
  "ietf-restconf:errors": {
    "error": {
      "error-type": "application",
      "error-tag": "data-missing",
    }
  }
}

```

```

    "error-severity": "error",
    "error-message": "Data does not exist; cannot delete resource"
  }
}

```

### 1.6.3. Operational State API: Use Cases and Examples

The operational state API provides access to operational state data, including routing protocols, subscriber, and system state information. The operational state is a runtime information and will be reset after each reboot.



The operational state API is accessed through the CtrlD proxy endpoint.



Use Prometheus for operational state monitoring and metric sampling.

### Querying Subscriber Sessions

The following example shows how to read up to five (limit=5) active subscriber sessions on port *ifp-0/0/0* (*ifp\_name=ifp-0/0/0*).

```

GET /api/v1/rbfs/elements/BNG/services/opsd/proxy/subscribers?ifp_name=ifp-
0/0/0&limit=5 HTTP/1.1
Host: 10.0.0.1:19091

```

The API call uses the CtrlD proxy endpoint to invoke the Operational State API, the element name is *BNG* and the service name is *opsd*.

The following example shows five IPoE subscriber sessions.

```

[
  {
    "subscriber_id": 216454257090494480,
    "subscriber_id_str": "216454257090494480",
    "subscriber_state": "ESTABLISHED",
    "subscriber_user_name": "02:00:00:00:00:06@ipoe",
    "access_type": "IPoE",
    "accounting_session_id": "216454257090494480:1695654885",
    "ifp_name": "ifp-0/0/0",
    "outer_vlan": 128,
    "inner_vlan": 6,
    "client_mac": "02:00:00:00:00:06",
    "agent_remote_id": "DEU.RTBRICK.6",
    "agent_circuit_id": "0.0.0.0/0.0.0.0 eth 0:6"
  },

```

```
{
  "subscriber_id": 216454257090494481,
  "subscriber_id_str": "216454257090494481",
  "subscriber_state": "ESTABLISHED",
  "subscriber_user_name": "02:00:00:00:00:07@ipoe",
  "access_type": "IPoE",
  "accounting_session_id": "216454257090494481:1695654885",
  "ifp_name": "ifp-0/0/0",
  "outer_vlan": 128,
  "inner_vlan": 7,
  "client_mac": "02:00:00:00:00:07",
  "agent_remote_id": "DEU.RTBRICK.7",
  "agent_circuit_id": "0.0.0.0/0.0.0.0 eth 0:7"
},
{
  "subscriber_id": 216454257090494482,
  "subscriber_id_str": "216454257090494482",
  "subscriber_state": "ESTABLISHED",
  "subscriber_user_name": "02:00:00:00:00:08@ipoe",
  "access_type": "IPoE",
  "accounting_session_id": "216454257090494482:1695654885",
  "ifp_name": "ifp-0/0/0",
  "outer_vlan": 128,
  "inner_vlan": 8,
  "client_mac": "02:00:00:00:00:08",
  "agent_remote_id": "DEU.RTBRICK.8",
  "agent_circuit_id": "0.0.0.0/0.0.0.0 eth 0:8"
},
{
  "subscriber_id": 216454257090494483,
  "subscriber_id_str": "216454257090494483",
  "subscriber_state": "ESTABLISHED",
  "subscriber_user_name": "02:00:00:00:00:09@ipoe",
  "access_type": "IPoE",
  "accounting_session_id": "216454257090494483:1695654885",
  "ifp_name": "ifp-0/0/0",
  "outer_vlan": 128,
  "inner_vlan": 9,
  "client_mac": "02:00:00:00:00:09",
  "agent_remote_id": "DEU.RTBRICK.9",
  "agent_circuit_id": "0.0.0.0/0.0.0.0 eth 0:9"
},
{
  "subscriber_id": 216454257090494484,
  "subscriber_id_str": "216454257090494484",
  "subscriber_state": "ESTABLISHED",
  "subscriber_user_name": "02:00:00:00:00:0a@ipoe",
  "access_type": "IPoE",
  "accounting_session_id": "216454257090494484:1695654885",
  "ifp_name": "ifp-0/0/0",
  "outer_vlan": 128,
  "inner_vlan": 10,
  "client_mac": "02:00:00:00:00:0a",
  "agent_remote_id": "DEU.RTBRICK.10",
  "agent_circuit_id": "0.0.0.0/0.0.0.0 eth 0:10"
}
]
```

Each subscriber session has a unique subscriber ID and the subscriber ID is an

unsigned 64-bit integer.

The `subscriber_id` holds the numeric subscriber ID value, while `subscriber_id_str` contains a string representation of the subscriber ID.



Some tools and programming libraries comply **I-JSON standard**. This standard defines numeric values as double-precision floating-point numbers. As a result, subscriber ID values will be rounded and may confuse. It is recommended to read the subscriber ID from the `subscriber_id_str` in such environments.

## Terminating a Subscriber Session

The following API call terminates the subscriber session for the subscriber with the subscriber ID: 216454257090494484.

```
DELETE
/api/v1/rbfs/elements/BNG/services/opsd/proxy/subscribers/216454257090494484
HTTP/1.1
Host: 10.0.0.1:19091
```

The switch returns a **202 Accepted** status code to acknowledge that the session is going to be terminated.

## 1.6.4. Prometheus: Use Cases and Examples

### Accessing the Federation Endpoint

The Prometheus federation endpoint returns all metrics collected by Prometheus in the Prometheus Exposition Format.

```
GET
/api/v1/rbfs/elements/BNG/services/prometheus/proxy/federate?match%5B%5D=%7Bjob%3D%22bds%22%7D HTTP/1.1
Host: 10.0.0.1:19091
```



The **match** condition is required to select all BDS metrics that is metrics collected from brick daemons and the brick data store (BDS).

## 1.6.5. Handling Special Characters in URL Parameters

Interface identifiers, such as `ifl-0/0/0`, may include the `/` character, which is commonly used as a path separator in URLs. When using parameters in API requests (for example, `interface=<value>` or `aaa-profile={aaa-profile_profile-name}`), these values must be encoded as `"%2F"` instead of using the `/` character.

For example, the interface identifier `ifl-0/0/0` is URL-encoded as `ifl-0%2F0%2F0`, which is used in the URL example: `/data/rtrbrick-config:interface=ifl-0%2F0%2F0`. Similarly, the value `radius/server` is URL-encoded as `radius%2Fserver`, seen in the URL example: `/data/rtrbrick-config:access/aaa-profile={radius%2Fserver}`.

## 1.7. Related Documentation

|            |  |
|------------|--|
| /ONIE/     | The ONIE documentation outlines the DHCP options supported for image discovery.<br><a href="https://opencomputeproject.github.io/onie/design-spec/discovery.html">https://opencomputeproject.github.io/onie/design-spec/discovery.html</a> |
| /ZTP/      | The <code>undefined/techdocs/current/tools/rbfs-ztp.html</code> [Zero-Touch Provisioning Guide] outlines the current configuration discovery process.  |
| /SEC/      | The <code>undefined/techdocs/current/secmgmt/secmgmt_intro.html</code> [Securing the Management Plane Guide] Secure the Management Plane guide gives a detailed insight on this topic.   |
| /RADIUS/   | The <code>undefined/techdocs/current/radiuservices/radiuservices_intro.html</code> [RADIUS Services Guide] provides an overview of the supported RADIUS attributes including a reference to the RFC that defines the message attribute.    |
| /CTRLD/    | The CTRLD API reference describes all CTRLD REST API endpoints in detail. To view the CtrlID API Reference, navigate to <a href="#">RBFS APIs</a> , and select <a href="#">CTRLD API Reference</a> from the drop-down list.                |
| /RESTCONF/ | The RESTCONF API reference describes all configuration API endpoints. To view the RESTCONF API Reference, navigate to <a href="#">RBFS APIs</a> , and select <a href="#">RESTCONF API Reference</a> from the drop-down list.               |

/GELF/

The Graylog Extended Log Format (GELF) is a log format, this document outlines the fundamentals.  
To obtain this document, contact your customer support team.

## 2. RBFS APIs

```
<link rel="stylesheet" type="text/css" href="._attachments/swagger-ui.css">
<link rel="stylesheet" type="text/css" href="._attachments/rtbrick-swagger.css">
<div id="swagger-ui"></div>
<script src="._attachments/swagger-ui-bundle.js"></script>
<script src="._attachments/swagger-ui-standalone-preset.js"></script>
<script>
window.onload = function () {
  const DisableTryItOutPlugin = function() {
    return {
      statePlugins: {
        spec: {
          wrapSelectors: {
            allowTryItOutFor: () => () => false
          }
        }
      }
    }
  }

  // Begin Swagger UI call region
  const ui = SwaggerUIBundle({
    urls: [
      { "url": "._attachments/rbfs/openapi_ctrlld.yaml", "name": "CTRLD API
Reference" },
      { "url": "._attachments/rbfs/rtbrick-config_restconf_swagger.json",
"name": "RESTCONF API Reference" },
      { "url": "._attachments/rbfs/swagger_opsd.yaml", "name": "Operational
State API Reference" },
      { "url": "._attachments/rbfs/swagger_bds.yaml", "name": "BDS API
Reference" },
    ],
    dom_id: '#swagger-ui',
    deepLinking: true,
    docExpansion: "none",
    presets: [
      SwaggerUIBundle.presets.apis,
      SwaggerUIStandalonePreset
    ],
    plugins: [
      SwaggerUIBundle.plugins.DownloadUrl,
      DisableTryItOutPlugin
    ],
    layout: "StandaloneLayout"
  })
  // End Swagger UI call region

  window.ui = ui
}
</script>
```