



IS-IS Configuration Guide

Version 21.1.1, 29 January 2021

Registered Address	Support	Sales
26, Kingston Terrace, Princeton, New Jersey 08540, United States		
		+91 80 4850 5445
http://www.rtbrick.com	support@rtbrick.com	sales@rtbrick.com

©Copyright 2021 RtBrick, Inc. All rights reserved. The information contained herein is subject to change without notice. The trademarks, logos and service marks ("Marks") displayed in this documentation are the property of RtBrick in the United States and other countries. Use of the Marks are subject to RtBrick's Term of Use Policy, available at <https://www.rtbrick.com/privacy>. Use of marks belonging to other parties is for informational purposes only.

Table of Contents

1. Introduction to RBFS IS-IS	4
1.1. IS-IS Overview	4
2. Configuring IS-IS	5
2.1. Entering configuration mode	5
2.2. Enabling IS-IS Protocol	5
2.3. Configuring an IS-IS Instance	6
2.3.1. Configure the System ID	6
2.3.2. Configuring the ISO Area Addresses	6
2.3.3. Configuring the Holding Time	6
2.3.4. Configuring the Router ID	7
2.3.5. Configuring the SRGB Base	7
2.3.6. Configuring the SRGB Index Range	8
2.3.7. Configuring the Host Name	8
2.3.8. Configuring the Authentication Type	8
2.3.9. Configuring the Authentication Keys	9
2.3.10. Configuring the Authentication Key ID	10
2.3.11. Configuring the Authentication Check	11
2.3.12. Ignoring the attached bit on IS-IS	12
2.3.13. Configuring no-mpls-transit-route	13
3. Configuring IS-IS Interface	14
3.1. Configuring the Interface Type	14
3.2. Configuring the Interface Adjacency	14
3.3. Configuring the Interface Level Metric	15
3.4. Configuring the IS-IS interfaces as passive	16
3.5. Configuring IS-IS LSP Interval	16
3.6. Configuring the Interface System ID	17
3.7. Configuring the Segment Routing IPv4/IPv6 Index	17
3.8. Configuring the Level-1/Level-2 SNP Authentication	18
3.9. Configuring the Level-1/Level-2 Hello Authentication	19
4. Configuring Address Family	20
4.1. Configuring Route Redistribution	20
5. Configuring IS-IS Flood Filtering	21
5.1. Introduction	21
5.2. Topology	21
5.3. Configuring IS-IS Flood Filtering	21
5.3.1. Global Configuration	21
5.3.2. Interface-level Configuration	22
6. IS-IS Show Commands	23

6.1. show isis neighbor	23
6.2. show isis neighbor detail	23
6.3. show isis neighbor instance <instance-name>	23
6.4. show isis neighbor instance <instance-name> detail	24
6.5. show isis overview	24
6.6. show isis hostname	25
6.7. show isis interface instance <instance-name>	25
6.8. show isis interface <ifl-name>	25
6.9. show isis interface statistics	26
6.10. show isis route	26
6.11. show isis route instance <instance-name>	27
6.12. show isis route instance <instance-name> <afi> <safi>	28
6.13. show isis spf result	29
6.14. show isis spf result level-1	30
6.15. show isis spf result level-2	30
6.16. show isis spf result instance <instance-name> level-1	31
6.17. show isis spf result instance <instance-name> level-2	31
6.18. show isis database	31
6.19. show isis database detail	32
6.20. show isis database lsp <lsp-id>	34
6.21. show isis database system <system-id>	36
6.22. show isis database level-1 detail	37
6.23. show isis database level-1 lsp <lsp-id>	39
6.24. show isis database level-1 system <system-id>	39
6.25. show isis database level-2 detail	40
6.26. show isis database level-2 system <system-id>	42
6.27. show isis database instance <instance-name>	43
6.28. show isis database instance <instance-name> detail	44
6.29. show isis database instance <instance-name> lsp <lsp-id>	46
6.30. show isis database instance <instance-name> system <system-id>	48
6.31. show isis database instance <instance-name> level-1 detail	49
6.32. show isis database instance <instance-name> level-1 lsp <lsp-id>	51
6.33. show isis database instance <instance-name> level-1 system <system-id>	51
6.34. show isis database instance <instance-name> level-2 lsp <lsp-id>	53
6.35. show isis database instance <instance-name> level-2 system <system-id>	54

1. Introduction to RBFS IS-IS

The RtBrick Full Stack (RBFS) is a distributed, web-scale network operating system based on micro-service architecture and packaged in a Linux container currently based on Ubuntu 18.04. The RBFS decreases the complexity of a network by providing users with capabilities such as composability, programmability, and elasticity in a visionary way.

The RBFS operating system operates on the leaf and spine framework. This framework provides the network operators with methods to configure and manage a network brick by brick, and provides full control of the network so the focus can be on the deployment of the new services and not the constant juggling of hardware. The Intermediate System-to-Intermediate System (IS-IS) protocol is an interior gateway protocol (IGP) that uses link-state information to make routing decisions.

1.1. IS-IS Overview

IS-IS, or Intermediate System to Intermediate System, is an open standard routing protocol. ISO published the standard as a way to route datagrams as part of their OSI stack. IETF later republished the standard, and added IP route support.

It is a link-state routing protocol, similar to OSPF. It forms neighbor adjacencies, has areas, exchanges link-state packets, builds a link-state database and runs the Dijkstra SPF algorithm to find the best path to each destination, which is installed in the routing table.

This guide provides the various IS-IS configuration and show CLI commands for RBFS.

2. Configuring IS-IS

The basic IS-IS configuration tasks that must be performed are:

- enable IS-IS protocol
- configure IS-IS Instance
 - configure system ID
 - configure area addresses
 - configure instance level
- configure interfaces
- configure address-family

2.1. Entering configuration mode

The following example shows how to enter the configuration mode.

```
root@rtbrick:~$ cli
root@rtbrick: op> switch-mode config
Activating syntax mode : cfg [config]
root@rtbrick: cfg>
```

From this prompt, you can enter the set commands to configure the various IS-IS components.

2.2. Enabling IS-IS Protocol

To enable IS-IS, you must configure the ISIS protocol under a specific instance.

```
set instance <instance> protocol isis
```

instance	Name of the IS-IS instance
----------	----------------------------

Example

```
root@rtbrick: cfg> set instance ip2vrf protocol isis
root@rtbrick: cfg> commit
```

2.3. Configuring an IS-IS Instance

After enabling IS-IS, the following parameters can be configured in an instance.

2.3.1. Configure the System ID

A system ID uniquely identifies a device.

```
set instance <instance> protocol isis system-id <system_id>
```

instance	Name of the IS-IS instance
system_id	specifies the system ID of the device.

Example

```
root@rtbrick: cfg> set instance ip2vrf protocol isis system-id 1920.0100.4001
root@rtbrick: cfg> commit
```

2.3.2. Configuring the ISO Area Addresses

```
set instance <instance> protocol isis area <area>
```

instance	Name of the IS-IS instance
area	The area can be represented in 1, 3, 5, 13 bytes format.

Example

```
root@rtbrick: cfg> set instance ip2vrf protocol isis area 49.000/24
root@rtbrick: cfg> commit
```

2.3.3. Configuring the Holding Time

```
set instance <instance> protocol isis holding-time <holding_time>
```

instance	Name of the IS-IS instance
----------	----------------------------

holding-time	<p>Specifies how long a neighbor should consider this routing device to be operative without receiving another hello packet.</p> <p>Default value: 30 seconds</p> <p>Range: 1 through 65535 seconds</p>
--------------	---

Example

```
root@rtbrick: cfg> set instance ip2vrf protocol isis holding-time 45
root@rtbrick: cfg> commit
```

2.3.4. Configuring the Router ID

This command allows add a 'router-id' configuration option to IS-IS and advertise the configured router id in TLV 132 (IP Interface Address) and TLV 134 (TE Router ID) as part of the LSP.

Syntax

```
set instance <instance-name> protocol isis router-id <router-id>
```

Command arguments

<instance-name>	Name of the instance
<router-id>	Router identifier

Example

```
supervisor@isis_ler1: cfg> set instance service protocol isis router-id
19.10.11.14
supervisor@isis_ler1: cfg> commit
```

2.3.5. Configuring the SRGB Base

```
set instance <instance> protocol isis srgb-base <srgb_base>
```

instance	Name of the IS-IS instance
----------	----------------------------

srgb_base	Specifies the segment routing global block (SRGB) in source packet routing.
-----------	---

Example

```
root@rtbrick: cfg> set instance ip2vrf protocol isis srgb-base 10000
root@rtbrick: cfg> commit
```

2.3.6. Configuring the SRGB Index Range

```
set instance <instance> protocol isis srgb-index-range <srgb_range>
```

instance	Name of the IS-IS instance
srgb_range	Specifies the index range of the SRGB label block.

Example

```
root@rtbrick: cfg> set instance ip2vrf protocol isis srgb-index-range 1000
root@rtbrick: cfg> commit
```

2.3.7. Configuring the Host Name

```
set instance <instance> protocol isis <hostname>
```

instance	Name of the IS-IS instance
hostname	Specifies the hostname mapped to the system identifier.

Example

```
root@rtbrick: cfg> set instance ip2vrf protocol isis hostname SPINE1
root@rtbrick: cfg> commit
```

2.3.8. Configuring the Authentication Type

```
set instance <instance> protocol isis authentication level-1 type
<level1_authentication_type>
```

instance	Name of the IS-IS instance
level1_authentication_type	<p>Enables you to specify the authentication scheme for IS-IS. If you enable authentication, you must specify a password by including the authentication-key statement.</p> <p>The following authentication types are supported:</p> <ul style="list-style-type: none"> • clear_text • md5 • sha1

Example

```

root@rtbrick: cfg> set instance ip2vrf protocol isis authentication level-1
type md5
root@rtbrick: cfg> set instance ip2vrf protocol isis authentication level-2
type md5
root@rtbrick: cfg> commit

```

2.3.9. Configuring the Authentication Keys

```
set instance <instance> protocol isis authentication level-1 key1-plain-text
<level1_authentication_key>
```

```
set instance <instance> protocol isis authentication level-2 key1-plain-text
<level2_authentication_key>
```

```
set instance <instance> protocol isis authentication level-1 key2-plain-text
<level1_authentication_key2>
```

```
set instance <instance> protocol isis authentication level-2 key2-plain-text
<level2_authentication_key2>
```

instance	Name of the IS-IS instance
----------	----------------------------

level1_authentication_key level2_authentication_key level1_authentication_key2 level2_authentication_key2	The level-1/level-2 authentication keys specify the authentication keys (passwords) that are used by the neighboring routing devices to verify the authenticity of packets sent from this interface. For the key to work, you also must include the authentication-type statement.
--	--

Example

```

root@rtbrick: cfg> set instance ip2vrf protocol isis authentication level-1
key1-plain-text testkey1
root@rtbrick: cfg> set instance ip2vrf protocol isis authentication level-1
key2-plain-text testkey2
root@rtbrick: cfg> set instance ip2vrf protocol isis authentication level-2
key1-plain-text testkey1
root@rtbrick: cfg> set instance ip2vrf protocol isis authentication level-2
key2-plain-text testkey2
root@rtbrick: cfg> commit

```

2.3.10. Configuring the Authentication Key ID

```
set instance <instance> protocol isis authentication level-1 key-id1
<level1_authentication_key_id>
```

```
set instance <instance> protocol isis authentication level-1 key-id2
<level1_authentication_key_id2>
```

```
set instance <instance> protocol isis authentication level-2 key-id1
<level2_authentication_key_id>
```

```
set instance <instance> protocol isis authentication level-2 key-id2
<level2_authentication_key_id2>
```

instance	Name of the IS-IS instance
level1_authentication_key_id level1_authentication_key_id2 level2_authentication_key_id level2_authentication_key_id2	The key ID allows you to specify the key identifiers for level-1/level-2 authentication.

Example

```

root@rtbrick: cfg> set instance ip2vrf protocol isis authentication level-1
key-id1 100
root@rtbrick: cfg> set instance ip2vrf protocol isis authentication level-1
key-id2 200
root@rtbrick: cfg> set instance ip2vrf protocol isis authentication level-2
key-id1 100
root@rtbrick: cfg> set instance ip2vrf protocol isis authentication level-2
key-id2 200
root@rtbrick: cfg> commit

```

2.3.11. Configuring the Authentication Check

```

set instance <instance> protocol isis authentication level-1 check
<level1_authentication_check>

```

```

set instance <instance> protocol isis authentication level-2 check
<level2_authentication_check>

```

instance	Name of the IS-IS instance
level1_authentication_check level2_authentication_check	The level-1/level-2 authentication check parameter specifies an authentication check to reject PDUs that do not match the type or key requirements. You can enable or disable the authentication check.

Example

```

root@rtbrick: cfg> set instance ip2vrf protocol isis authentication level-1
check disable
root@rtbrick: cfg> set instance ip2vrf protocol isis authentication level-2
check disable
root@rtbrick: cfg> commit

```

Configuration example

```

admin@rtbrick:~$ cli
admin@rtbrick: op> switch-mode config
Activating syntax mode : cfg [config]
admin@rtbrick: cfg> set instance ip2vrf protocol isis system-id
1920.0100.4001
admin@rtbrick: cfg> set instance ip2vrf protocol isis area 49.000/24
admin@rtbrick: cfg> set instance ip2vrf protocol isis holding-time 45
admin@rtbrick: cfg> set instance ip2vrf protocol isis srgb-base 10000
admin@rtbrick: cfg> set instance ip2vrf protocol isis srgb-index-range 1000
admin@rtbrick: cfg> set instance ip2vrf protocol isis hostname SPINE1
admin@rtbrick: cfg> set instance ip2vrf protocol isis authentication level-1
type md5
admin@rtbrick: cfg> set instance ip2vrf protocol isis authentication level-1
key1-plain-text testkey1
admin@rtbrick: cfg> set instance ip2vrf protocol isis authentication level-1
key2-plain-text testkey2
admin@rtbrick: cfg> set instance ip2vrf protocol isis authentication level-1
check disable
admin@rtbrick: cfg> set instance ip2vrf protocol isis authentication level-2
type md5
admin@rtbrick: cfg> set instance ip2vrf protocol isis authentication level-2
key1-plain-text testkey1
admin@rtbrick: cfg> set instance ip2vrf protocol isis authentication level-2
key2-plain-text testkey2
admin@rtbrick: cfg> set instance ip2vrf protocol isis authentication level-2
check disable
admin@rtbrick: cfg> commit
admin@rtbrick: cfg>

```

2.3.12. Ignoring the attached bit on IS-IS

This configuration allows you to enable the routing device to ignore the attached bit on incoming Level 1 link-state PDUs. If the attached bit is ignored, no default route, which points to the routing device which has set the attached bit, is installed.

Syntax

```
set instance <instance-name> protocol isis ignore-attached-bit <true | false>
```

Command arguments

<instance-name>	Name of the instance
<true/false>	Specifies whether ignore-attached-bit configuration is enabled or not

Example

```
admin@rtbrick: cfg> set instance <instance-name> protocol isis ignore-
attached-bit true
admin@rtbrick: cfg> commit
```

2.3.13. Configuring no-mpls-transit-route

This configuration allows you to prevent IS-IS from installing the transit path for the received Segment Index for IS-IS segment routing. This configuration should be used only if the router is an edge node which is neither expected to act as "router on a stick" or as a transit node in any topology change.

Syntax

```
set instance <instance-name> protocol isis no-mpls-transit-path
<true|false>
```

<instance-name>	Name of the instance
<true/false>	Specifies whether no-mpls-transit-route configuration is enabled or not

Example

```
supervisor@isis_ler1: cfg> set instance <instance-name> protocol isis no-
mpls-transit-path true
supervisor@isis_ler1: cfg> commit
```

3. Configuring IS-IS Interface

By default, there are no interfaces associated with IS-IS. You must configure at least one IS-IS interface for ISIS adjacency formation.

After enabling IS-IS, you need to specify on which interface IS-IS will be run with the following command:

```
set instance <instance> protocol isis interface <interface>
```

instance	Name of the IS-IS instance
interface	Name of the interface

Example

```
root@rtbrick: cfg> set instance ip2vrf protocol isis interface memif-1/2/1/0
root@rtbrick: cfg> commit
```

3.1. Configuring the Interface Type

```
set instance <instance> protocol isis interface <interface> type
<interface_type>
```

instance	Name of the IS-IS instance
interface	Name of the IS-IS interface
interface_type	The interface_type specifies the interface type. NOTE: The point-to-point is the default interface type and hence you actually do not need to configure it.

Example

```
root@rtbrick: cfg> set instance ip2vrf protocol isis interface memif-1/2/1/0
type point-to-point
root@rtbrick: cfg> commit
```

3.2. Configuring the Interface Adjacency

```
set instance <instance> protocol isis interface <interface> level-1 adjacency-
disable <level1_disable>
```

```
set instance <instance> protocol isis interface <interface> level-2 adjacency-
disable <level2_disable>
```

These commands allow you to disable level-1/level-2 adjacencies on an interface.

instance	Name of the IS-IS instance
interface	Name of the IS-IS interface
level1_disable level2_disable	These parameters allow you to enable to disable the level-1/level-2 interface adjacency

Example

```
root@rtbrick: cfg> set instance ip2vrf protocol isis interface memif-1/2/1/0
level-1 adjacency-disable true
root@rtbrick: cfg> set instance ip2vrf protocol isis interface memif-1/2/1/0
level-2 adjacency-disable true
root@rtbrick: cfg> commit
```

3.3. Configuring the Interface Level Metric

```
set instance <instance> protocol isis interface <interface> level-1 metric
<level1_metric>
```

```
set instance <instance> protocol isis interface <interface> level-2 metric
<level2_metric>
```

instance	Name of the IS-IS instance
interface	Name of the IS-IS interface
level1_metric level2_metric	These parameters allow you to specify the interface level-1/level-2 metric value. If the metric value is not set, the default value is set to 1000000.

Example


```

root@rtbrick: cfg> set instance ip2vrf protocol isis interface memif-1/2/1/0
level-1 metric 10
root@rtbrick: cfg> set instance ip2vrf protocol isis interface memif-1/2/1/0
level-2 metric 10
root@rtbrick: cfg> commit

```

3.4. Configuring the IS-IS interfaces as passive

```

set instance <instance> protocol isis interface <interface> passive
<is_passive>

```

instance	Name of the IS-IS instance
interface	Name of the IS-IS interface
is_passive	This parameter sets the interface in passive mode. In this mode, no IS-IS hello packets are sent out on the interface and no IS-IS adjacencies are created. But the IP prefixes will be mentioned in the self LSP to make the network reachable via other links. The <code>is_passive</code> parameter can be configured as one of two values: true or false.

Example

```

root@rtbrick: cfg> set instance ip2vrf protocol isis interface memif-1/2/1/0
passive true
root@rtbrick: cfg> commit

```

3.5. Configuring IS-IS LSP Interval

```

set instance <instance> protocol isis interface <interface> lsp-interval
<lsp_interval>

```

instance	Name of the IS-IS instance
interface	Name of the IS-IS interface
lsp_interval	Specifies the link-state PDU interval time. The default interval time is 100 milliseconds. The range is 1 to 1000 milliseconds.

Example

```
root@rtbrick: cfg> set instance ip2vrf protocol isis interface memif-1/2/1/0
lsp-interval 600
root@rtbrick: cfg> commit
```

3.6. Configuring the Interface System ID

```
set instance <instance> protocol isis interface <interface> system-id
<local_system_id>
```

instance	Name of the IS-IS instance
interface	Name of the IS-IS interface
local_system_id	The local_system_id specifies the system ID of the device.

Example

```
root@rtbrick: cfg> set instance ip2vrf protocol isis interface memif-1/2/1/0
system-id 2af0.1100.da44
root@rtbrick: cfg> commit
```

3.7. Configuring the Segment Routing IPv4/IPv6 Index

```
set instance <instance> protocol isis interface <interface> segment-routing
ipv4 index <ipv4_sid>
```

```
set instance <instance> protocol isis interface <interface> segment-routing
ipv6 index <ipv6_sid>
```

```
set instance <instance> protocol isis interface <interface> segment-routing
ipv4 anycast-index <ipv4_anycast_sid>
```

```
set instance <instance> protocol isis interface <interface> segment-routing
ipv6 anycast-index <ipv6_anycast_sid>
```

instance	Name of the IS-IS instance
interface	Name of the IS-IS interface
ipv4_sid	These parameters specify the segment routing IPv4/IPv6 index
ipv6_sid	
ipv4_anycast_sid	
ipv6_anycast_sid	

Example

```

root@rtbrick: cfg> set instance ip2vrf protocol isis interface memif-1/2/1/0
segment-routing ipv4 index 100
root@rtbrick: cfg> set instance ip2vrf protocol isis interface memif-1/2/1/0
segment-routing ipv6 index 200
root@rtbrick: cfg> set instance ip2vrf protocol isis interface memif-1/2/1/0
segment-routing ipv4 anycast-index 300
root@rtbrick: cfg> set instance ip2vrf protocol isis interface memif-1/2/1/0
segment-routing ipv6 anycast-index 400
root@rtbrick: cfg> commit

```

3.8. Configuring the Level-1/Level-2 SNP Authentication

```
set instance <instance> protocol isis interface <interface> level-1 snp-
authentication <level1_snp_authentication>
```

```
set instance <instance> protocol isis interface <interface> level-2 snp-
authentication <level2_snp_authentication>
```

instance	Name of the IS-IS instance
interface	Name of the IS-IS interface
level1_snp_authentication level2_snp_authentication	These parameters allow you to specify the Sequence Number PDU (SNP) Authentication. You can either enable or disable the SNP authentication.

Example

```

root@rtbrick: cfg> set instance ip2vrf protocol isis interface memif-1/2/1/0
level-1 snp-authentication disable
root@rtbrick: cfg> set instance ip2vrf protocol isis interface memif-1/2/1/0
level-2 snp-authentication disable

root@rtbrick: cfg> commit

```

3.9. Configuring the Level-1/Level-2 Hello Authentication

```

set instance <instance> protocol isis interface <interface> level-1 hello-
authentication <level1_hello_authentication>

```

```

set instance <instance> protocol isis interface <interface> level-2 hello-
authentication <level2_hello_authentication>

```

instance	Name of the IS-IS instance
interface	Name of the IS-IS interface
level1_hello_authentication level2_hello_authentication	These parameters can be used to enable or disable the authentication for hello packets.

Example

```

root@rtbrick: cfg> set instance ip2vrf protocol isis interface memif-1/2/1/0
level-1 hello-authentication disable
root@rtbrick: cfg> set instance ip2vrf protocol isis interface memif-1/2/1/0
level-2 hello-authentication disable
root@rtbrick: cfg> commit

```

4. Configuring Address Family

The address-family command allows you to enable the address families that IS-IS will route and configure settings that are distinct to that address family. The address families supported are IPv4 unicast and IPv6 unicast.

4.1. Configuring Route Redistribution

```
set instance <instance> protocol isis address-family <afi> <safi> redistribute level-1 <source>
```

```
set instance <instance> protocol isis address-family <afi> <safi> redistribute level-2 <source>
```

instance	Name of the IS-IS instance
afi	These parameters specify the address-family.
safi	
source	Specifies the source from which the routes are to be redistributed from. The available options are bgp, ospf, direct, and static.

Configuration Example

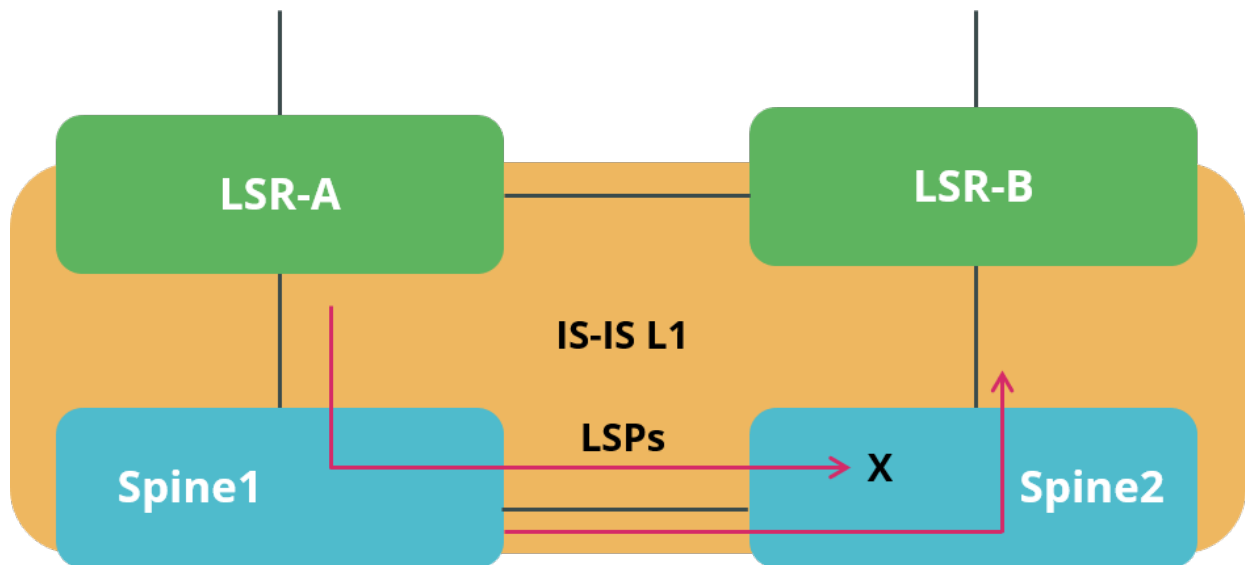
```
root@rtbrick: cfg> set instance ip2vrf protocol isis address-family ipv4
unicast redistribute level-1 static
root@rtbrick: cfg> set instance ip2vrf protocol isis address-family ipv4
unicast redistribute level-2 static
admin@rtbrick: cfg> commit
```

5. Configuring IS-IS Flood Filtering

5.1. Introduction

IS-IS flood filtering reduces flooding that allows to match and filter on specific IS-IS systems IDs.

5.2. Topology



5.3. Configuring IS-IS Flood Filtering

5.3.1. Global Configuration

Use these commands to filter flooding Globally.

Syntax

```
set global protocol isis flood-filter <filter_name> <ordinal_number> ordinal-
name <ordinal_name>
```

```
set global protocol isis flood-filter <filter_name> <ordinal_number> system-
id <match_system_id>
```

```
set global protocol isis flood-filter <filter_name> <ordinal_number> action
<action>
```

filter_name	Filter-name which binds a flooding filter to an IS-IS interface
-------------	---

ordinal_number	Number to filter rule
ordinal_name	Name to filter rule
match_system_id	ID which matches ISIS system-ID
action	Action required to flood or not

Example

```
root@rtbrick: cfg> set global protocol isis flood-filter
spinel_lsr1_flood_filter 1 ordinal-name spine1
root@rtbrick: cfg> set global protocol isis flood-filter
spinel_lsr1_flood_filter 1 system-id 1920.0100.4001
root@rtbrick: cfg> set global protocol isis flood-filter
spinel_lsr1_flood_filter 1 action flood
root@rtbrick: cfg> commit
```

5.3.2. Interface-level Configuration

Use this command to filter flooding on interface level.

Syntax

```
set instance <instance_name> protocol isis interface <interface_name>
flood-filter <filter_name>
```

instance_name	configured Instance vrf name
interface_name	Interface name
filter_name	Filter-name which binds a flooding filter to an IS-IS interface

Example

```
root@rtbrick: cfg> set instance ip2vrf protocol isis interface memif-1/1/1/1
flood-filter spine1_lsr1_flood_filter
root@rtbrick: cfg> commit
```

6. IS-IS Show Commands

6.1. show isis neighbor

```

supervisor@rtb_spine_1: op> show isis neighbor
Instance: ip2vrf
  Interface          System          Level  State  Type  Up since
Expires
  memif-0/1/2/12    1920.0100.4002.00  L1    Up     P2P   Mon Nov 02
06:18:36    in 28s 228094us
  memif-0/1/6/16    1920.0000.0006.00  L1    Up     P2P   Mon Nov 02
06:18:30    in 24s 420225us

```

6.2. show isis neighbor detail

```

supervisor@rtb_spine_1: op> show isis neighbor detail
Instance: ip2vrf
  System: 1920.0100.4002.00, Interface: memif-0/1/2/12
  State: Up, Level: L1, Adjacency type: P2P
  Holding time: 30.0s, Expiry time: in 25s 144032us
  Local IPv4 address: 10.4.12.0, Remote IPv4 address: 10.4.12.1
  Local IPv6 address: fe80::7801:49ff:fe60:102, Remote IPv6 address:
fe80::7816:7bff:fe60:201
  Up since: Mon Nov 02 06:18:36 GMT +0000 2020, Last down reason: NA
  Last transition: 2020-11-02T06:18:36.947601+0000, Number of transitions:
2
  Error counters:
  Level mismatch: 0, Area mismatch: 0, System ID: 0, Subnet mismatch: 0
  Hold timeout: 0, Neighbor down: 0, Interface down: 0, Admin reset: 0
  Interface configuration: 0, Area configuration: 0, Other: 0
  System: 1920.0000.0006.00, Interface: memif-0/1/6/16
  State: Up, Level: L1, Adjacency type: P2P
  Holding time: 30.0s, Expiry time: in 23s 961367us
  Local IPv4 address: 10.0.16.0, Remote IPv4 address: 10.0.16.1
  Local IPv6 address: fe80::7801:49ff:fe60:106, Remote IPv6 address:
fe80::785c:e4ff:fe60:601
  Up since: Mon Nov 02 06:18:30 GMT +0000 2020, Last down reason: NA
  Last transition: 2020-11-02T06:18:30.356111+0000, Number of transitions:
2
  Error counters:
  Level mismatch: 0, Area mismatch: 0, System ID: 0, Subnet mismatch: 0
  Hold timeout: 0, Neighbor down: 0, Interface down: 0, Admin reset: 0
  Interface configuration: 0, Area configuration: 0, Other: 0

```

6.3. show isis neighbor instance <instance-name>


```

supervisor@rtb_spine_1: op> show isis neighbor instance ip2vrf
Instance: ip2vrf
  Interface          System          Level  State  Type  Up since
Expires
  memif-0/1/2/12    1920.0100.4002.00 L1    Up     P2P   Mon Nov 02
06:18:36          in 28s 678329us
  memif-0/1/6/16    1920.0000.0006.00 L1    Up     P2P   Mon Nov 02
06:18:30          in 28s 88085us
supervisor@rtb_spine_1: op>

```

6.4. show isis neighbor instance <instance-name> detail

```

supervisor@rtb_spine_1: op> show isis neighbor instance ip2vrf detail
Instance: ip2vrf
  System: 1920.0100.4002.00, Interface: memif-0/1/2/12
  State: Up, Level: L1, Adjacency type: P2P
  Holding time: 30.0s, Expiry time: in 21s 706586us
  Local IPv4 address: 10.4.12.0, Remote IPv4 address: 10.4.12.1
  Local IPv6 address: fe80::7801:49ff:fe60:102, Remote IPv6 address:
fe80::7816:7bff:fe60:201
  Up since: Mon Nov 02 06:18:36 GMT +0000 2020, Last down reason: NA
  Last transition: 2020-11-02T06:18:36.947601+0000, Number of transitions:
2
  Error counters:
  Level mismatch: 0, Area mismatch: 0, System ID: 0, Subnet mismatch: 0
  Hold timeout: 0, Neighbor down: 0, Interface down: 0, Admin reset: 0
  Interface configuration: 0, Area configuration: 0, Other: 0
  System: 1920.0000.0006.00, Interface: memif-0/1/6/16
  State: Up, Level: L1, Adjacency type: P2P
  Holding time: 30.0s, Expiry time: in 22s 832756us
  Local IPv4 address: 10.0.16.0, Remote IPv4 address: 10.0.16.1
  Local IPv6 address: fe80::7801:49ff:fe60:106, Remote IPv6 address:
fe80::785c:e4ff:fe60:601
  Up since: Mon Nov 02 06:18:30 GMT +0000 2020, Last down reason: NA
  Last transition: 2020-11-02T06:18:30.356111+0000, Number of transitions:
2
  Error counters:
  Level mismatch: 0, Area mismatch: 0, System ID: 0, Subnet mismatch: 0
  Hold timeout: 0, Neighbor down: 0, Interface down: 0, Admin reset: 0
  Interface configuration: 0, Area configuration: 0, Other: 0
supervisor@rtb_spine_1: op>

```

6.5. show isis overview

```

supervisor@rtb_spine_1: op> show isis overview
Instance: ip2vrf
  System ID: 1920.0100.4001
  System hostname: spine1
  Areas: 49.0001/24
  Neighbor hold time: 30 sec
  LSP life time: 65535 sec
  Overload bit set: False
  Overload timer: 300 sec
  SRGB base: 10000
  SRGB range: 2000
  Authentication: Level 1: md5, Level 2: none
supervisor@rtb_spine_1: op>

```

6.6. show isis hostname

```

supervisor@rtb_spine_1: op> show isis hostname
Instance      System-ID      Hostname
ip2vrf        1920.0100.4001  spine1
supervisor@rtb_spine_1: op>

```

```
show isis interface
```

```
supervisor@rtb_spine_1: op> show isis interface
```

```

Instance: ip2vrf
  Interface      Level  Adjacencies  Metric  Type
Passive
  lo-0/0/4/1      1         0    1000000  loopback      True
  memif-0/1/2/12  1         0    1000000  point-to-point False
  memif-0/1/6/16  1         0    1000000  point-to-point False

```

6.7. show isis interface instance <instance-name>

```
supervisor@rtb_spine_1: op> show isis interface instance ip2vrf
```

```

Instance: ip2vrf
  Interface      Level  Adjacencies  Metric  Type
Passive
  lo-0/0/4/1      1         0    1000000  loopback      True
  memif-0/1/2/12  1         0    1000000  point-to-point False
  memif-0/1/6/16  1         0    1000000  point-to-point False

```

6.8. show isis interface <ifl-name>

```

supervisor@rtb_spine_1: op> show isis interface memif-0/1/6/16
Instance: ip2vrf
  Interface: memif-0/1/6/16, Level: 1
    Type: point-to-point, Passive: False
    Metric: 1000000
    Adjacencies: 1
    CNSP: In: 24 Out: 34 Success: 24 Fail: 0
    PSNP: In: 8 Out: 10 Success: 5 Fail: 1
    LSP: In: 14 Out: 11 Success: 11 Fail: 2 In Purge: 0 In Auth Fail: 2
    IIH: In: 121 Out: 163

```

6.9. show isis interface statistics

```

supervisor@rtb_spine_1: op> show isis interface statistics
Instance: ip2vrf
  Interface      Level  CSNP In  CSNP Out  CSNP Fail  PSNP In  PSNP Out  PSNP
Fail LSP In  LSP Out  LSP Fail  IIH In  IIH Out
  lo-0/0/4/1      1      0      0      0      0      0      0      0
0      0      0      0
  memif-0/1/2/12  1      32     32      0      9      6      1
9      10     0     117     138
  memif-0/1/6/16  1      22     32      0      6      6      1
9      8      0     115     138
supervisor@rtb_spine_1: op>

```

6.10. show isis route

```

supervisor@rtb_spine_1: op> show isis route
Instance: ip2vrf, AFI: ipv4, SAFI: unicast
  Prefix                Level  Metric  Type      Next Hop
Interface
  10.0.16.0/31          1    1000000 Internal  n/a
local
  10.0.27.0/31          1    2000000 Internal  10.4.12.1
memif-0/1/2/12
  10.0.68.0/31          1    2000000 Internal  10.0.16.1
memif-0/1/6/16
  10.0.69.0/31          1    2000000 Internal  10.0.16.1
memif-0/1/6/16
  10.4.12.0/31          1    1000000 Internal  n/a
local
  192.0.0.6/32          1    2000000 Internal  10.0.16.1
memif-0/1/6/16
  192.1.4.1/32          1    1000000 Internal  n/a
local
  192.1.4.2/32          1    2000000 Internal  10.4.12.1
memif-0/1/2/12
Instance: ip2vrf, AFI: ipv4, SAFI: labeled-unicast
  Prefix                Level  Metric  SID Index  Next Hop
Interface              Label
  192.0.0.6/32          1    2000000      6    10.0.16.1
memif-0/1/6/16        10006
  192.1.4.2/32          1    2000000      2    10.4.12.1
memif-0/1/2/12        10002
Instance: ip2vrf, AFI: ipv6, SAFI: unicast
  Prefix                Level  Metric  Type      Next Hop
Interface
  192:1:4::1/128        1    1000000 Internal  n/a
local
  192:1:4::2/128        1    2000000 Internal
fe80::7816:7bff:fe60:201 memif-0/1/2/12

```

6.11. show isis route instance <instance-name>

```

supervisor@rtb_spine_1: op> show isis route instance ip2vrf
Instance: ip2vrf, AFI: ipv4, SAFI: unicast
  Prefix                Level  Metric  Type        Next Hop
Interface
  10.0.16.0/31          1    1000000  Internal    n/a
local
  10.0.27.0/31          1    2000000  Internal    10.4.12.1
memif-0/1/2/12
  10.0.68.0/31          1    2000000  Internal    10.0.16.1
memif-0/1/6/16
  10.0.69.0/31          1    2000000  Internal    10.0.16.1
memif-0/1/6/16
  10.4.12.0/31          1    1000000  Internal    n/a
local
  192.0.0.6/32          1    2000000  Internal    10.0.16.1
memif-0/1/6/16
  192.1.4.1/32          1    1000000  Internal    n/a
local
  192.1.4.2/32          1    2000000  Internal    10.4.12.1
memif-0/1/2/12
Instance: ip2vrf, AFI: ipv4, SAFI: labeled-unicast
  Prefix                Level  Metric  SID Index  Next Hop
Interface              Label
  192.0.0.6/32          1    2000000      6    10.0.16.1
memif-0/1/6/16          10006
  192.1.4.2/32          1    2000000      2    10.4.12.1
memif-0/1/2/12          10002
Instance: ip2vrf, AFI: ipv6, SAFI: unicast
  Prefix                Level  Metric  Type        Next Hop
Interface
  192:1:4::1/128        1    1000000  Internal    n/a
local
  192:1:4::2/128        1    2000000  Internal
fe80::7816:7bff:fe60:201 memif-0/1/2/12

```

6.12. show isis route instance <instance-name> <afi> <safi>

Example 1:

```

supervisor@rtb_spine_1: op> show isis route instance ip2vrf ipv4 unicast
Instance: ip2vrf, AFI: ipv4, SAFI: unicast
  Prefix                Level  Metric  Type        Next Hop
Interface
  10.0.16.0/31          1    1000000  Internal    n/a
local
  10.0.27.0/31          1    2000000  Internal    10.4.12.1
memif-0/1/2/12
  10.0.68.0/31          1    2000000  Internal    10.0.16.1
memif-0/1/6/16
  10.0.69.0/31          1    2000000  Internal    10.0.16.1
memif-0/1/6/16
  10.4.12.0/31          1    1000000  Internal    n/a
local
  192.0.0.6/32          1    2000000  Internal    10.0.16.1
memif-0/1/6/16
  192.1.4.1/32          1    1000000  Internal    n/a
local
  192.1.4.2/32          1    2000000  Internal    10.4.12.1
memif-0/1/2/12
supervisor@rtb_spine_1: op>

```

Example 2:

```

supervisor@rtb_spine_1: op> show isis route instance ip2vrf ipv4 labeled-
unicast
Instance: ip2vrf, AFI: ipv4, SAFI: labeled-unicast
  Prefix                Level  Metric  SID Index  Next Hop
Interface              Label
  192.0.0.6/32          1    2000000    6    10.0.16.1
memif-0/1/6/16          10006
  192.1.4.2/32          1    2000000    2    10.4.12.1
memif-0/1/2/12          10002

```

Example 3:

```

supervisor@rtb_spine_1: op> show isis route instance ip2vrf ipv6 unicast
Instance: ip2vrf, AFI: ipv6, SAFI: unicast
  Prefix                Level  Metric  Type        Next Hop
Interface
  192:1:4::1/128        1    1000000  Internal    n/a
local
  192:1:4::2/128        1    2000000  Internal
fe80::7816:7bff:fe60:201 memif-0/1/2/12

```

6.13. show isis spf result

```

supervisor@rtb_spine_1: op> show isis spf result
Instance: ip2vrf, Level: 1
  Destination Node      Metric      Neighbor Node      Interface
  Nexthop  Address
  1920.0000.0006.00      1000000      1920.0000.0006.00  memif-0/1/6/16
IPv4      10.0.16.1
                                           1920.0000.0006.00  memif-0/1/6/16

IPv6      fe80::785c:e4ff:fe60:601
  1920.0100.4001.00      0
  1920.0100.4002.00      1000000      1920.0100.4002.00  memif-0/1/2/12
IPv6      fe80::7816:7bff:fe60:201
                                           1920.0100.4002.00  memif-0/1/2/12

IPv4      10.4.12.1
Instance: ip2vrf, Level: 2
  Destination Node      Metric      Neighbor Node      Interface
  Nexthop  Address
  1920.0100.4001.00      0
supervisor@rtb_spine_1: op>

```

6.14. show isis spf result level-1

```

supervisor@rtb_spine_1: op> show isis spf result level-1
Instance: ip2vrf, Level: 1
  Destination Node      Metric      Neighbor Node      Interface
  Nexthop  Address
  1920.0000.0006.00      1000000      1920.0000.0006.00  memif-0/1/6/16
IPv4      10.0.16.1
                                           1920.0000.0006.00  memif-0/1/6/16

IPv6      fe80::785c:e4ff:fe60:601
  1920.0100.4001.00      0
  1920.0100.4002.00      1000000      1920.0100.4002.00  memif-0/1/2/12
IPv6      fe80::7816:7bff:fe60:201
                                           1920.0100.4002.00  memif-0/1/2/12

IPv4      10.4.12.1
supervisor@rtb_spine_1: op>

```

6.15. show isis spf result level-2

```

supervisor@rtb_spine_1: op> show isis spf result level-2
Instance: ip2vrf, Level: 2
  Destination Node      Metric      Neighbor Node      Interface
  Nexthop  Address
  1920.0100.4001.00      0
supervisor@rtb_spine_1: op>

```

6.16. show isis spf result instance <instance-name> level-1

```

supervisor@rtb_spine_1: op> show isis spf result instance ip2vrf level-1
Instance: ip2vrf, Level: 1
  Destination Node      Metric      Neighbor Node      Interface
Nexthop  Address
  1920.0000.0006.00      1000000      1920.0000.0006.00  memif-0/1/6/16
IPv4     10.0.16.1
                                         1920.0000.0006.00  memif-0/1/6/16
IPv6     fe80::785c:e4ff:fe60:601
  1920.0100.4001.00          0              local
  1920.0100.4002.00      1000000      1920.0100.4002.00  memif-0/1/2/12
IPv6     fe80::7816:7bff:fe60:201
                                         1920.0100.4002.00  memif-0/1/2/12
IPv4     10.4.12.1
supervisor@rtb_spine_1: op>

```

6.17. show isis spf result instance <instance-name> level-2

```

supervisor@rtb_spine_1: op> show isis spf result instance ip2vrf level-2
Instance: ip2vrf, Level: 2
  Destination Node      Metric      Neighbor Node      Interface
Nexthop  Address
  1920.0100.4001.00          0              local
supervisor@rtb_spine_1: op>

```

6.18. show isis database


```

supervisor@rtb_spine_1: op> show isis database
Instance: ip2vrf, Level: 1
  LSP ID          Sequence    Checksum    Lifetime    Expiry
Overload  Attached
  1920.0000.0006.00-00    0xa    0x8beb    65534    in 18h 3m 43s
702598us          0          0
  1920.0000.0007.00-00    0x5    0xdfbb    65533    in 17h 35m 20s
181083us          0          0
  1920.0000.0008.00-00    0x6    0x76f3    65533    in 17h 35m 22s
270431us          0          0
  1920.0000.0009.00-00    0x6    0x5b18    65533    in 17h 35m 21s
978405us          0          0
  spine1.00-00          0xc    0x9c74    65535    in 18h 3m 25s
374286us          0          0
  1920.0100.4002.00-00    0x9    0x89a6    65534    in 18h 2m 37s
714196us          0          0
Instance: ip2vrf, Level: 2
  LSP ID          Sequence    Checksum    Lifetime    Expiry
Overload  Attached
  spine1.00-00          0x12   0x6407    65535    in 18h 3m 45s
338086us          0          0
supervisor@rtb_spine_1: op>

```

6.19. show isis database detail

```

supervisor@rtb_spine_1: op> show isis database detail
Instance: ip2vrf, Level: 1
  LSP ID: 1920.0100.4001.00-00
  Interface:
  LSP Header:
  Sequence: 0xc
  Checksum: 0x9c74
  Remaining lifetime: 65535 seconds
  Flags: Attached: 0, Overload: 0
  Packet:
  Length: 168 bytes
  Last received time: 2020-11-02T06:46:46.473726+0000
  Expiry: expires in 17h 55m 48s 816627us
  Dynamic Hostname TLV: spine1
  Protocols Supported TLVs:
  Network layer protocol ID: IPv6
  Network layer protocol ID: IPv4
  Area Address TLVs:
  Area address: 49.0001
  Authentication TLV:
  Value: 77b259cb36930819b0abb6120ceee2fd
  IS Reachability TLVs:
  IS neighbor: 1920.0000.0006.00
  IS neighbor: 1920.0100.4002.00
  IPv4 Reachability TLVs:
  IPv4 prefix: 10.0.16.0/31          Metric: 1000000    Internal
Up
  IPv4 prefix: 10.4.12.0/31        Metric: 1000000    Internal
Up

```

```

IPv4 prefix: 192.1.4.1/32                               Metric: 1000000   Internal
Up   SID:      1   Flags: Node
IPv6 Reachability TLVs:
IPv6 prefix: 192:1:4::1/128                             Metric: 1000000   Internal
Up
Segment Routing TLVs:
  SRGB: Base: 10000, Range: 2000
LSP ID: 1920.0100.4002.00-00
  Interface: memif-0/1/2/12
  LSP Header:
  Sequence: 0x9
  Checksum: 0x89a6
  Remaining lifetime: 65534 seconds
  Flags: Attached: 0, Overload: 0
  Packet:
  Length: 149 bytes
  Last received time: 2020-11-02T06:45:59.814186+0000
  Expiry: expires in 17h 55m 1s 156532us
  Dynamic Hostname TLV: none
  Protocols Supported TLVs:
  Network layer protocol ID: IPv6
  Network layer protocol ID: IPv4
  Area Address TLVs:
  Area address: 49.0001
  Authentication TLV:
  Value: 5892f2d37d7f23abcfcb48466276659c
  IS Reachability TLVs:
  IS neighbor: 1920.0100.4001.00
  IPv4 Reachability TLVs:
  IPv4 prefix: 10.0.27.0/31                               Metric: 1000000   Internal
Up   IPv4 prefix: 10.4.12.0/31                             Metric: 1000000   Internal
Up   IPv4 prefix: 192.1.4.2/32                             Metric: 1000000   Internal
Up   SID:      2   Flags: Node
IPv6 Reachability TLVs:
IPv6 prefix: 192:1:4::2/128                             Metric: 1000000   Internal
Up
Segment Routing TLVs:
  SRGB: Base: 70000, Range: 2000
Instance: ip2vrf, Level: 2
LSP ID: 1920.0100.4001.00-00
  Interface:
  LSP Header:
  Sequence: 0x12
  Checksum: 0x6407
  Remaining lifetime: 65535 seconds
  Flags: Attached: 0, Overload: 0
  Packet:
  Length: 247 bytes
  Last received time: 2020-11-02T06:47:06.466723+0000
  Expiry: expires in 17h 56m 8s 748908us
  Dynamic Hostname TLV: spine1
  Protocols Supported TLVs:
  Network layer protocol ID: IPv6
  Network layer protocol ID: IPv4
  Area Address TLVs:
  Area address: 49.0001

```

```

Authentication TLV:
none
IS Reachability TLVs:
IPv4 Reachability TLVs:
Up IPv4 prefix: 10.0.16.0/31 Metric: 1000000 Internal
Up IPv4 prefix: 10.0.27.0/31 Metric: 2000000 Internal
Up IPv4 prefix: 10.0.68.0/31 Metric: 2000000 Internal
Up IPv4 prefix: 10.0.69.0/31 Metric: 2000000 Internal
Up IPv4 prefix: 10.4.12.0/31 Metric: 1000000 Internal
Up IPv4 prefix: 192.0.0.6/32 Metric: 2000000 Internal
Up SID: 6 Flags: Re-advertisement, Node
IPv4 prefix: 192.1.4.1/32 Metric: 1000000 Internal
Up SID: 1 Flags: Re-advertisement, Node
IPv4 prefix: 192.1.4.2/32 Metric: 2000000 Internal
Up SID: 2 Flags: Re-advertisement, Node
IPv6 Reachability TLVs:
Up IPv6 prefix: 192:1:4::1/128 Metric: 1000000 Internal
Up IPv6 prefix: 192:1:4::2/128 Metric: 2000000 Internal
Up
Segment Routing TLVs:
SRGB: Base: 10000, Range: 2000
supervisor@rtb_spine_1: op>

```

6.20. show isis database lsp <lsp-id>



This command includes an option for entering the system ID part either by hostname or by ID.

```

supervisor@rtb_spine_1: op> show isis database lsp 1920.0100.4001.00-00
Instance: ip2vrf, Level: 1
LSP ID: 1920.0100.4001.00-00
Interface:
LSP Header:
Sequence: 0xc
Checksum: 0x9c74
Remaining lifetime: 65535 seconds
Flags: Attached: 0, Overload: 0
Packet:
Length: 168 bytes
Last received time: 2020-11-02T06:46:46.473726+0000
Expiry: expires in 17h 52m 34s 950743us
Dynamic Hostname TLV: spine1
Protocols Supported TLVs:
Network layer protocol ID: IPv6
Network layer protocol ID: IPv4
Area Address TLVs:
Area address: 49.0001
Authentication TLV:

```

```

Value: 77b259cb36930819b0abb6120ceee2fd
IS Reachability TLVs:
IS neighbor: 1920.0000.0006.00
IS neighbor: 1920.0100.4002.00
IPv4 Reachability TLVs:
IPv4 prefix: 10.0.16.0/31          Metric: 1000000  Internal
Up
IPv4 prefix: 10.4.12.0/31         Metric: 1000000  Internal
Up
IPv4 prefix: 192.1.4.1/32        Metric: 1000000  Internal
Up  SID: 1  Flags: Node
IPv6 Reachability TLVs:
IPv6 prefix: 192:1:4::1/128      Metric: 1000000  Internal
Up
Segment Routing TLVs:
SRGB: Base: 10000, Range: 2000
Instance: ip2vrf, Level: 2
LSP ID: 1920.0100.4001.00-00
Interface:
LSP Header:
Sequence: 0x12
Checksum: 0x6407
Remaining lifetime: 65535 seconds
Flags: Attached: 0, Overload: 0
Packet:
Length: 247 bytes
Last received time: 2020-11-02T06:47:06.466723+0000
Expiry: expires in 17h 52m 54s 889789us
Dynamic Hostname TLV: spine1
Protocols Supported TLVs:
Network layer protocol ID: IPv6
Network layer protocol ID: IPv4
Area Address TLVs:
Area address: 49.0001
Authentication TLV:
none
IS Reachability TLVs:
IPv4 Reachability TLVs:
IPv4 prefix: 10.0.16.0/31          Metric: 1000000  Internal
Up
IPv4 prefix: 10.0.27.0/31         Metric: 2000000  Internal
Up
IPv4 prefix: 10.0.68.0/31         Metric: 2000000  Internal
Up
IPv4 prefix: 10.0.69.0/31         Metric: 2000000  Internal
Up
IPv4 prefix: 10.4.12.0/31         Metric: 1000000  Internal
Up
IPv4 prefix: 192.0.0.6/32         Metric: 2000000  Internal
Up  SID: 6  Flags: Re-advertisement, Node
IPv4 prefix: 192.1.4.1/32        Metric: 1000000  Internal
Up  SID: 1  Flags: Re-advertisement, Node
IPv4 prefix: 192.1.4.2/32        Metric: 2000000  Internal
Up  SID: 2  Flags: Re-advertisement, Node
IPv6 Reachability TLVs:
IPv6 prefix: 192:1:4::1/128      Metric: 1000000  Internal
Up
IPv6 prefix: 192:1:4::2/128      Metric: 2000000  Internal

```

Up

```
Segment Routing TLVs:
  SRGB: Base: 10000, Range: 2000
supervisor@rtb_spine_1: op>
```

6.21. show isis database system <system-id>



This command includes an option for entering the system ID part either by hostname or by ID.

```
supervisor@rtb_spine_1: op> show isis database system 1920.0100.4001
Instance: ip2vrf, Level: 1
  LSP ID: 1920.0100.4001.00-00
    Interface:
    LSP Header:
      Sequence: 0xc
      Checksum: 0x9c74
      Remaining lifetime: 65535 seconds
      Flags: Attached: 0, Overload: 0
    Packet:
      Length: 168 bytes
      Last received time: 2020-11-02T06:46:46.473726+0000
      Expiry: expires in 17h 51m 17s 103817us
      Dynamic Hostname TLV: spine1
      Protocols Supported TLVs:
        Network layer protocol ID: IPv6
        Network layer protocol ID: IPv4
      Area Address TLVs:
        Area address: 49.0001
      Authentication TLV:
        Value: 77b259cb36930819b0abb6120ceee2fd
      IS Reachability TLVs:
        IS neighbor: 1920.0000.0006.00
        IS neighbor: 1920.0100.4002.00
      IPv4 Reachability TLVs:
        IPv4 prefix: 10.0.16.0/31          Metric: 1000000  Internal
Up
        IPv4 prefix: 10.4.12.0/31         Metric: 1000000  Internal
Up
        IPv4 prefix: 192.1.4.1/32         Metric: 1000000  Internal
Up
      SID: 1  Flags: Node
      IPv6 Reachability TLVs:
        IPv6 prefix: 192:1:4::1/128      Metric: 1000000  Internal
Up
    Segment Routing TLVs:
      SRGB: Base: 10000, Range: 2000
Instance: ip2vrf, Level: 2
  LSP ID: 1920.0100.4001.00-00
    Interface:
    LSP Header:
      Sequence: 0x12
      Checksum: 0x6407
      Remaining lifetime: 65535 seconds
      Flags: Attached: 0, Overload: 0
```

```

Packet:
Length: 247 bytes
Last received time: 2020-11-02T06:47:06.466723+0000
Expiry: expires in 17h 51m 37s 38655us
Dynamic Hostname TLV: spine1
Protocols Supported TLVs:
Network layer protocol ID: IPv6
Network layer protocol ID: IPv4
Area Address TLVs:
Area address: 49.0001
Authentication TLV:
none
IS Reachability TLVs:
IPv4 Reachability TLVs:
IPv4 prefix: 10.0.16.0/31          Metric: 1000000   Internal
Up
IPv4 prefix: 10.0.27.0/31        Metric: 2000000   Internal
Up
IPv4 prefix: 10.0.68.0/31        Metric: 2000000   Internal
Up
IPv4 prefix: 10.0.69.0/31        Metric: 2000000   Internal
Up
IPv4 prefix: 10.4.12.0/31        Metric: 1000000   Internal
Up
IPv4 prefix: 192.0.0.6/32         Metric: 2000000   Internal
Up  SID: 6   Flags: Re-advertisement, Node
IPv4 prefix: 192.1.4.1/32         Metric: 1000000   Internal
Up  SID: 1   Flags: Re-advertisement, Node
IPv4 prefix: 192.1.4.2/32         Metric: 2000000   Internal
Up  SID: 2   Flags: Re-advertisement, Node
IPv6 Reachability TLVs:
IPv6 prefix: 192:1:4::1/128      Metric: 1000000   Internal
Up
IPv6 prefix: 192:1:4::2/128      Metric: 2000000   Internal
Up
Segment Routing TLVs:
SRGB: Base: 10000, Range: 2000
supervisor@rtb_spine_1: op>

```

6.22. show isis database level-1 detail

```

supervisor@rtb_spine_1: op> show isis database level-1 detail
Instance: ip2vrf, Level: 1
LSP ID: 1920.0100.4001.00-00
Interface:
LSP Header:
Sequence: 0xc
Checksum: 0x9c74
Remaining lifetime: 65535 seconds
Flags: Attached: 0, Overload: 0
Packet:
Length: 168 bytes
Last received time: 2020-11-02T06:46:46.473726+0000
Expiry: expires in 17h 50m 31s 759013us
Dynamic Hostname TLV: spine1

```

```

Protocols Supported TLVs:
Network layer protocol ID: IPv6
Network layer protocol ID: IPv4
Area Address TLVs:
Area address: 49.0001
Authentication TLV:
Value: 77b259cb36930819b0abb6120ceee2fd
IS Reachability TLVs:
IS neighbor: 1920.0000.0006.00
IS neighbor: 1920.0100.4002.00
IPv4 Reachability TLVs:
IPv4 prefix: 10.0.16.0/31          Metric: 1000000  Internal
Up
IPv4 prefix: 10.4.12.0/31         Metric: 1000000  Internal
Up
IPv4 prefix: 192.1.4.1/32         Metric: 1000000  Internal
Up  SID: 1  Flags: Node
IPv6 Reachability TLVs:
IPv6 prefix: 192:1:4::1/128      Metric: 1000000  Internal
Up
Segment Routing TLVs:
SRGB: Base: 10000, Range: 2000
LSP ID: 1920.0100.4002.00-00
Interface: memif-0/1/2/12
LSP Header:
Sequence: 0x9
Checksum: 0x89a6
Remaining lifetime: 65534 seconds
Flags: Attached: 0, Overload: 0
Packet:
Length: 149 bytes
Last received time: 2020-11-02T06:45:59.814186+0000
Expiry: expires in 17h 49m 44s 99010us
Dynamic Hostname TLV: none
Protocols Supported TLVs:
Network layer protocol ID: IPv6
Network layer protocol ID: IPv4
Area Address TLVs:
Area address: 49.0001
Authentication TLV:
Value: 5892f2d37d7f23abcfcb48466276659c
IS Reachability TLVs:
IS neighbor: 1920.0100.4001.00
IPv4 Reachability TLVs:
IPv4 prefix: 10.0.27.0/31          Metric: 1000000  Internal
Up
IPv4 prefix: 10.4.12.0/31         Metric: 1000000  Internal
Up
IPv4 prefix: 192.1.4.2/32         Metric: 1000000  Internal
Up  SID: 2  Flags: Node
IPv6 Reachability TLVs:
IPv6 prefix: 192:1:4::2/128      Metric: 1000000  Internal
Up
Segment Routing TLVs:
SRGB: Base: 70000, Range: 2000
supervisor@rtb_spine_1: op>

```

6.23. show isis database level-1 lsp <lsp-id>

```

supervisor@rtb_spine_1: op> show isis database level-1 lsp 1920.0100.4001.00-
00
Instance: ip2vrf, Level: 1
  LSP ID: 1920.0100.4001.00-00
    Interface:
    LSP Header:
    Sequence: 0xc
    Checksum: 0x9c74
    Remaining lifetime: 65535 seconds
    Flags: Attached: 0, Overload: 0
    Packet:
    Length: 168 bytes
    Last received time: 2020-11-02T06:46:46.473726+0000
    Expiry: expires in 17h 48m 21s 320089us
    Dynamic Hostname TLV: spine1
    Protocols Supported TLVs:
    Network layer protocol ID: IPv6
    Network layer protocol ID: IPv4
    Area Address TLVs:
    Area address: 49.0001
    Authentication TLV:
    Value: 77b259cb36930819b0abb6120ceee2fd
    IS Reachability TLVs:
    IS neighbor: 1920.0000.0006.00
    IS neighbor: 1920.0100.4002.00
    IPv4 Reachability TLVs:
    IPv4 prefix: 10.0.16.0/31                Metric: 1000000    Internal
Up
    IPv4 prefix: 10.4.12.0/31                Metric: 1000000    Internal
Up
    IPv4 prefix: 192.1.4.1/32                Metric: 1000000    Internal
Up  SID: 1  Flags: Node
    IPv6 Reachability TLVs:
    IPv6 prefix: 192:1:4::1/128              Metric: 1000000    Internal
Up
    Segment Routing TLVs:
    SRGB: Base: 10000, Range: 2000
supervisor@rtb_spine_1: op>

```

6.24. show isis database level-1 system <system-id>


```

supervisor@rtb_spine_1: op> show isis database level-1 system 1920.0100.4001
Instance: ip2vrf, Level: 1
  LSP ID: 1920.0100.4001.00-00
    Interface:
    LSP Header:
    Sequence: 0xc
    Checksum: 0x9c74
    Remaining lifetime: 65535 seconds
    Flags: Attached: 0, Overload: 0
    Packet:
    Length: 168 bytes
    Last received time: 2020-11-02T06:46:46.473726+0000
    Expiry: expires in 17h 47m 49s 370231us
    Dynamic Hostname TLV: spine1
    Protocols Supported TLVs:
    Network layer protocol ID: IPv6
    Network layer protocol ID: IPv4
    Area Address TLVs:
    Area address: 49.0001
    Authentication TLV:
    Value: 77b259cb36930819b0abb6120ceee2fd
    IS Reachability TLVs:
    IS neighbor: 1920.0000.0006.00
    IS neighbor: 1920.0100.4002.00
    IPv4 Reachability TLVs:
    IPv4 prefix: 10.0.16.0/31                               Metric: 1000000   Internal
Up
    IPv4 prefix: 10.4.12.0/31                               Metric: 1000000   Internal
Up
    IPv4 prefix: 192.1.4.1/32                               Metric: 1000000   Internal
Up
    SID: 1   Flags: Node
    IPv6 Reachability TLVs:
    IPv6 prefix: 192:1:4::1/128                             Metric: 1000000   Internal
Up
    Segment Routing TLVs:
    SRGB: Base: 10000, Range: 2000
supervisor@rtb_spine_1: op>

```

6.25. show isis database level-2 detail

```

supervisor@rtb_spine_1: op> show isis database level-2 detail
Instance: ip2vrf, Level: 2
  LSP ID: 1920.0100.4001.00-00
    Interface:
    LSP Header:
    Sequence: 0x12
    Checksum: 0x6407
    Remaining lifetime: 65535 seconds
    Flags: Attached: 0, Overload: 0
    Packet:
    Length: 247 bytes
    Last received time: 2020-11-02T06:47:06.466723+0000
    Expiry: expires in 17h 47m 42s 657607us
    Dynamic Hostname TLV: spine1

```

```

Protocols Supported TLVs:
Network layer protocol ID: IPv6
Network layer protocol ID: IPv4
Area Address TLVs:
Area address: 49.0001
Authentication TLV:
none
IS Reachability TLVs:
IPv4 Reachability TLVs:
IPv4 prefix: 10.0.16.0/31          Metric: 1000000  Internal
Up
IPv4 prefix: 10.0.27.0/31          Metric: 2000000  Internal
Up
IPv4 prefix: 10.0.68.0/31          Metric: 2000000  Internal
Up
IPv4 prefix: 10.0.69.0/31          Metric: 2000000  Internal
Up
IPv4 prefix: 10.4.12.0/31          Metric: 1000000  Internal
Up
IPv4 prefix: 192.0.0.6/32           Metric: 2000000  Internal
Up  SID: 6  Flags: Re-advertisement, Node
IPv4 prefix: 192.1.4.1/32           Metric: 1000000  Internal
Up  SID: 1  Flags: Re-advertisement, Node
IPv4 prefix: 192.1.4.2/32           Metric: 2000000  Internal
Up  SID: 2  Flags: Re-advertisement, Node
IPv6 Reachability TLVs:
IPv6 prefix: 192:1:4::1/128        Metric: 1000000  Internal
Up
IPv6 prefix: 192:1:4::2/128        Metric: 2000000  Internal
Up
Segment Routing TLVs:
SRGB: Base: 10000, Range: 2000
supervisor@rtb_spine_1: op>

show isis database level-2 lsp <lsp-id>

supervisor@rtb_spine_1: op> show isis database level-2 lsp 1920.0100.4001.00-
00
Instance: ip2vrf, Level: 2
LSP ID: 1920.0100.4001.00-00
Interface:
LSP Header:
Sequence: 0x12
Checksum: 0x6407
Remaining lifetime: 65535 seconds
Flags: Attached: 0, Overload: 0
Packet:
Length: 247 bytes
Last received time: 2020-11-02T06:47:06.466723+0000
Expiry: expires in 17h 46m 56s 57724us
Dynamic Hostname TLV: spine1
Protocols Supported TLVs:
Network layer protocol ID: IPv6
Network layer protocol ID: IPv4
Area Address TLVs:
Area address: 49.0001
Authentication TLV:
none

```

```
IS Reachability TLVs:
IPv4 Reachability TLVs:
Up IPv4 prefix: 10.0.16.0/31 Metric: 1000000 Internal
Up IPv4 prefix: 10.0.27.0/31 Metric: 2000000 Internal
Up IPv4 prefix: 10.0.68.0/31 Metric: 2000000 Internal
Up IPv4 prefix: 10.0.69.0/31 Metric: 2000000 Internal
Up IPv4 prefix: 10.4.12.0/31 Metric: 1000000 Internal
Up IPv4 prefix: 192.0.0.6/32 Metric: 2000000 Internal
Up SID: 6 Flags: Re-advertisement, Node
Up IPv4 prefix: 192.1.4.1/32 Metric: 1000000 Internal
Up SID: 1 Flags: Re-advertisement, Node
Up IPv4 prefix: 192.1.4.2/32 Metric: 2000000 Internal
Up SID: 2 Flags: Re-advertisement, Node
IPv6 Reachability TLVs:
Up IPv6 prefix: 192:1:4::1/128 Metric: 1000000 Internal
Up IPv6 prefix: 192:1:4::2/128 Metric: 2000000 Internal
Up
Segment Routing TLVs:
SRGB: Base: 10000, Range: 2000
supervisor@rtb_spine_1: op>
```

6.26. show isis database level-2 system <system-id>

```

supervisor@rtb_spine_1: op> show isis database level-2 system 1920.0100.4001
Instance: ip2vrf, Level: 2
  LSP ID: 1920.0100.4001.00-00
    Interface:
    LSP Header:
    Sequence: 0x12
    Checksum: 0x6407
    Remaining lifetime: 65535 seconds
    Flags: Attached: 0, Overload: 0
    Packet:
    Length: 247 bytes
    Last received time: 2020-11-02T06:47:06.466723+0000
    Expiry: expires in 17h 45m 59s 489955us
    Dynamic Hostname TLV: spine1
    Protocols Supported TLVs:
    Network layer protocol ID: IPv6
    Network layer protocol ID: IPv4
    Area Address TLVs:
    Area address: 49.0001
    Authentication TLV:
    none
    IS Reachability TLVs:
    IPv4 Reachability TLVs:
    IPv4 prefix: 10.0.16.0/31                Metric: 1000000  Internal
Up
    IPv4 prefix: 10.0.27.0/31                Metric: 2000000  Internal
Up
    IPv4 prefix: 10.0.68.0/31                Metric: 2000000  Internal
Up
    IPv4 prefix: 10.0.69.0/31                Metric: 2000000  Internal
Up
    IPv4 prefix: 10.4.12.0/31                Metric: 1000000  Internal
Up
    IPv4 prefix: 192.0.0.6/32                Metric: 2000000  Internal
Up  SID: 6  Flags: Re-advertisement, Node
    IPv4 prefix: 192.1.4.1/32                Metric: 1000000  Internal
Up  SID: 1  Flags: Re-advertisement, Node
    IPv4 prefix: 192.1.4.2/32                Metric: 2000000  Internal
Up  SID: 2  Flags: Re-advertisement, Node
    IPv6 Reachability TLVs:
    IPv6 prefix: 192:1:4::1/128             Metric: 1000000  Internal
Up
    IPv6 prefix: 192:1:4::2/128             Metric: 2000000  Internal
Up
    Segment Routing TLVs:
    SRGB: Base: 10000, Range: 2000
supervisor@rtb_spine_1: op>

```

6.27. show isis database instance <instance-name>

```

supervisor@rtb_spine_1: op> show isis database instance ip2vrf
Instance: ip2vrf, Level: 1
  LSP ID          Sequence    Checksum    Lifetime    Expiry
Overload  Attached
  1920.0000.0006.00-00    0xa    0x8beb    65534    in 17h 44m 13s
390502us          0          0
  1920.0000.0007.00-00    0x5    0xdfbb    65533    in 17h 15m 49s
869683us          0          0
  1920.0000.0008.00-00    0x6    0x76f3    65533    in 17h 15m 51s
959359us          0          0
  1920.0000.0009.00-00    0x6    0x5b18    65533    in 17h 15m 51s
667570us          0          0
  spine1.00-00          0xc    0x9c74    65535    in 17h 43m 55s
63659us          0          0
  1920.0100.4002.00-00    0x9    0x89a6    65534    in 17h 43m 7s
403686us          0          0
Instance: ip2vrf, Level: 2
  LSP ID          Sequence    Checksum    Lifetime    Expiry
Overload  Attached
  spine1.00-00          0x12    0x6407    65535    in 17h 44m 15s
21189us          0          0
supervisor@rtb_spine_1: op>

```

6.28. show isis database instance <instance-name> detail

```

supervisor@rtb_spine_1: op> show isis database instance ip2vrf detail
Instance: ip2vrf, Level: 1
  LSP ID: 1920.0100.4001.00-00
  Interface:
  LSP Header:
  Sequence: 0xc
  Checksum: 0x9c74
  Remaining lifetime: 65535 seconds
  Flags: Attached: 0, Overload: 0
  Packet:
  Length: 168 bytes
  Last received time: 2020-11-02T06:46:46.473726+0000
  Expiry: expires in 17h 55m 48s 816627us
  Dynamic Hostname TLV: spine1
  Protocols Supported TLVs:
  Network layer protocol ID: IPv6
  Network layer protocol ID: IPv4
  Area Address TLVs:
  Area address: 49.0001
  Authentication TLV:
  Value: 77b259cb36930819b0abb6120ceee2fd
  IS Reachability TLVs:
  IS neighbor: 1920.0000.0006.00
  IS neighbor: 1920.0100.4002.00
  IPv4 Reachability TLVs:
  IPv4 prefix: 10.0.16.0/31          Metric: 1000000    Internal
Up

```

```

IPv4 prefix: 10.4.12.0/31                               Metric: 1000000 Internal
Up
IPv4 prefix: 192.1.4.1/32                               Metric: 1000000 Internal
Up  SID: 1  Flags: Node
IPv6 Reachability TLVs:
IPv6 prefix: 192:1:4::1/128                             Metric: 1000000 Internal
Up
Segment Routing TLVs:
SRGB: Base: 10000, Range: 2000
LSP ID: 1920.0100.4002.00-00
Interface: memif-0/1/2/12
LSP Header:
Sequence: 0x9
Checksum: 0x89a6
Remaining lifetime: 65534 seconds
Flags: Attached: 0, Overload: 0
Packet:
Length: 149 bytes
Last received time: 2020-11-02T06:45:59.814186+0000
Expiry: expires in 17h 55m 1s 156532us
Dynamic Hostname TLV: none
Protocols Supported TLVs:
Network layer protocol ID: IPv6
Network layer protocol ID: IPv4
Area Address TLVs:
Area address: 49.0001
Authentication TLV:
Value: 5892f2d37d7f23abcfcb48466276659c
IS Reachability TLVs:
IS neighbor: 1920.0100.4001.00
IPv4 Reachability TLVs:
IPv4 prefix: 10.0.27.0/31                               Metric: 1000000 Internal
Up
IPv4 prefix: 10.4.12.0/31                               Metric: 1000000 Internal
Up
IPv4 prefix: 192.1.4.2/32                               Metric: 1000000 Internal
Up  SID: 2  Flags: Node
IPv6 Reachability TLVs:
IPv6 prefix: 192:1:4::2/128                             Metric: 1000000 Internal
Up
Segment Routing TLVs:
SRGB: Base: 70000, Range: 2000
Instance: ip2vrf, Level: 2
LSP ID: 1920.0100.4001.00-00
Interface:
LSP Header:
Sequence: 0x12
Checksum: 0x6407
Remaining lifetime: 65535 seconds
Flags: Attached: 0, Overload: 0
Packet:
Length: 247 bytes
Last received time: 2020-11-02T06:47:06.466723+0000
Expiry: expires in 17h 56m 8s 748908us
Dynamic Hostname TLV: spine1
Protocols Supported TLVs:
Network layer protocol ID: IPv6
Network layer protocol ID: IPv4

```

```

Area Address TLVs:
Area address: 49.0001
Authentication TLV:
none
IS Reachability TLVs:
IPv4 Reachability TLVs:
Up IPv4 prefix: 10.0.16.0/31 Metric: 1000000 Internal
Up IPv4 prefix: 10.0.27.0/31 Metric: 2000000 Internal
Up IPv4 prefix: 10.0.68.0/31 Metric: 2000000 Internal
Up IPv4 prefix: 10.0.69.0/31 Metric: 2000000 Internal
Up IPv4 prefix: 10.4.12.0/31 Metric: 1000000 Internal
Up IPv4 prefix: 192.0.0.6/32 Metric: 2000000 Internal
Up SID: 6 Flags: Re-advertisement, Node
IPv4 prefix: 192.1.4.1/32 Metric: 1000000 Internal
Up SID: 1 Flags: Re-advertisement, Node
IPv4 prefix: 192.1.4.2/32 Metric: 2000000 Internal
Up SID: 2 Flags: Re-advertisement, Node
IPv6 Reachability TLVs:
Up IPv6 prefix: 192:1:4::1/128 Metric: 1000000 Internal
Up IPv6 prefix: 192:1:4::2/128 Metric: 2000000 Internal
Up
Segment Routing TLVs:
SRGB: Base: 10000, Range: 2000
supervisor@rtb_spine_1: op>

```

6.29. show isis database instance <instance-name> lsp <lsp-id>

```

supervisor@rtb_spine_1: op> show isis database instance ip2vrf lsp
1920.0100.4001.00-00
Instance: ip2vrf, Level: 1
LSP ID: 1920.0100.4001.00-00
Interface:
LSP Header:
Sequence: 0xc
Checksum: 0x9c74
Remaining lifetime: 65535 seconds
Flags: Attached: 0, Overload: 0
Packet:
Length: 168 bytes
Last received time: 2020-11-02T06:46:46.473726+0000
Expiry: expires in 17h 52m 34s 950743us
Dynamic Hostname TLV: spine1
Protocols Supported TLVs:
Network layer protocol ID: IPv6
Network layer protocol ID: IPv4
Area Address TLVs:
Area address: 49.0001

```

```

Authentication TLV:
Value: 77b259cb36930819b0abb6120ceee2fd
IS Reachability TLVs:
IS neighbor: 1920.0000.0006.00
IS neighbor: 1920.0100.4002.00
IPv4 Reachability TLVs:
Up IPv4 prefix: 10.0.16.0/31 Metric: 1000000 Internal
Up IPv4 prefix: 10.4.12.0/31 Metric: 1000000 Internal
Up IPv4 prefix: 192.1.4.1/32 Metric: 1000000 Internal
Up SID: 1 Flags: Node
IPv6 Reachability TLVs:
Up IPv6 prefix: 192:1:4::1/128 Metric: 1000000 Internal

Segment Routing TLVs:
SRGB: Base: 10000, Range: 2000
Instance: ip2vrf, Level: 2
LSP ID: 1920.0100.4001.00-00
Interface:
LSP Header:
Sequence: 0x12
Checksum: 0x6407
Remaining lifetime: 65535 seconds
Flags: Attached: 0, Overload: 0
Packet:
Length: 247 bytes
Last received time: 2020-11-02T06:47:06.466723+0000
Expiry: expires in 17h 52m 54s 889789us
Dynamic Hostname TLV: spine1
Protocols Supported TLVs:
Network layer protocol ID: IPv6
Network layer protocol ID: IPv4
Area Address TLVs:
Area address: 49.0001
Authentication TLV:
none
IS Reachability TLVs:
IPv4 Reachability TLVs:
Up IPv4 prefix: 10.0.16.0/31 Metric: 1000000 Internal
Up IPv4 prefix: 10.0.27.0/31 Metric: 2000000 Internal
Up IPv4 prefix: 10.0.68.0/31 Metric: 2000000 Internal
Up IPv4 prefix: 10.0.69.0/31 Metric: 2000000 Internal
Up IPv4 prefix: 10.4.12.0/31 Metric: 1000000 Internal
Up IPv4 prefix: 192.0.0.6/32 Metric: 2000000 Internal
Up SID: 6 Flags: Re-advertisement, Node
IPv4 prefix: 192.1.4.1/32 Metric: 1000000 Internal
Up SID: 1 Flags: Re-advertisement, Node
IPv4 prefix: 192.1.4.2/32 Metric: 2000000 Internal
Up SID: 2 Flags: Re-advertisement, Node
IPv6 Reachability TLVs:
Up IPv6 prefix: 192:1:4::1/128 Metric: 1000000 Internal

```



```

IPv6 prefix: 192:1:4::2/128                               Metric: 2000000   Internal
Up
Segment Routing TLVs:
  SRGB: Base: 10000, Range: 2000
supervisor@rtb_spine_1: op>

```

6.30. show isis database instance <instance-name> system <system-id>

```

supervisor@rtb_spine_1: op> show isis database instance ip2vrf system
1920.0100.4001
Instance: ip2vrf, Level: 1
  LSP ID: 1920.0100.4001.00-00
    Interface:
    LSP Header:
    Sequence: 0xc
    Checksum: 0x9c74
    Remaining lifetime: 65535 seconds
    Flags: Attached: 0, Overload: 0
    Packet:
    Length: 168 bytes
    Last received time: 2020-11-02T06:46:46.473726+0000
    Expiry: expires in 17h 51m 17s 103817us
    Dynamic Hostname TLV: spine1
    Protocols Supported TLVs:
    Network layer protocol ID: IPv6
    Network layer protocol ID: IPv4
    Area Address TLVs:
    Area address: 49.0001
    Authentication TLV:
    Value: 77b259cb36930819b0abb6120ceee2fd
    IS Reachability TLVs:
    IS neighbor: 1920.0000.0006.00
    IS neighbor: 1920.0100.4002.00
    IPv4 Reachability TLVs:
    IPv4 prefix: 10.0.16.0/31                               Metric: 1000000   Internal
Up
    IPv4 prefix: 10.4.12.0/31                               Metric: 1000000   Internal
Up
    IPv4 prefix: 192.1.4.1/32                               Metric: 1000000   Internal
Up
    SID: 1   Flags: Node
    IPv6 Reachability TLVs:
    IPv6 prefix: 192:1:4::1/128                           Metric: 1000000   Internal
Up
    Segment Routing TLVs:
    SRGB: Base: 10000, Range: 2000
Instance: ip2vrf, Level: 2
  LSP ID: 1920.0100.4001.00-00
    Interface:
    LSP Header:
    Sequence: 0x12
    Checksum: 0x6407
    Remaining lifetime: 65535 seconds
    Flags: Attached: 0, Overload: 0

```

```

Packet:
Length: 247 bytes
Last received time: 2020-11-02T06:47:06.466723+0000
Expiry: expires in 17h 51m 37s 38655us
Dynamic Hostname TLV: spine1
Protocols Supported TLVs:
Network layer protocol ID: IPv6
Network layer protocol ID: IPv4
Area Address TLVs:
Area address: 49.0001
Authentication TLV:
none
IS Reachability TLVs:
IPv4 Reachability TLVs:
IPv4 prefix: 10.0.16.0/31          Metric: 1000000   Internal
Up
IPv4 prefix: 10.0.27.0/31        Metric: 2000000   Internal
Up
IPv4 prefix: 10.0.68.0/31        Metric: 2000000   Internal
Up
IPv4 prefix: 10.0.69.0/31        Metric: 2000000   Internal
Up
IPv4 prefix: 10.4.12.0/31        Metric: 1000000   Internal
Up
IPv4 prefix: 192.0.0.6/32         Metric: 2000000   Internal
Up  SID: 6   Flags: Re-advertisement, Node
IPv4 prefix: 192.1.4.1/32        Metric: 1000000   Internal
Up  SID: 1   Flags: Re-advertisement, Node
IPv4 prefix: 192.1.4.2/32        Metric: 2000000   Internal
Up  SID: 2   Flags: Re-advertisement, Node
IPv6 Reachability TLVs:
IPv6 prefix: 192:1:4::1/128      Metric: 1000000   Internal
Up
IPv6 prefix: 192:1:4::2/128      Metric: 2000000   Internal
Up
Segment Routing TLVs:
SRGB: Base: 10000, Range: 2000
supervisor@rtb_spine_1: op>

```

6.31. show isis database instance <instance-name> level-1 detail

```

supervisor@rtb_spine_1: op> show isis database instance ip2vrf level-1 detail
Instance: ip2vrf, Level: 1
LSP ID: 1920.0100.4001.00-00
Interface:
LSP Header:
Sequence: 0xc
Checksum: 0x9c74
Remaining lifetime: 65535 seconds
Flags: Attached: 0, Overload: 0
Packet:
Length: 168 bytes
Last received time: 2020-11-02T06:46:46.473726+0000

```

```

Expiry: expires in 17h 50m 31s 759013us
Dynamic Hostname TLV: spine1
Protocols Supported TLVs:
Network layer protocol ID: IPv6
Network layer protocol ID: IPv4
Area Address TLVs:
Area address: 49.0001
Authentication TLV:
Value: 77b259cb36930819b0abb6120ceee2fd
IS Reachability TLVs:
IS neighbor: 1920.0000.0006.00
IS neighbor: 1920.0100.4002.00
IPv4 Reachability TLVs:
IPv4 prefix: 10.0.16.0/31          Metric: 1000000  Internal
Up
IPv4 prefix: 10.4.12.0/31         Metric: 1000000  Internal
Up
IPv4 prefix: 192.1.4.1/32         Metric: 1000000  Internal
Up  SID: 1  Flags: Node
IPv6 Reachability TLVs:
IPv6 prefix: 192:1:4::1/128       Metric: 1000000  Internal
Up
Segment Routing TLVs:
SRGB: Base: 10000, Range: 2000
LSP ID: 1920.0100.4002.00-00
Interface: memif-0/1/2/12
LSP Header:
Sequence: 0x9
Checksum: 0x89a6
Remaining lifetime: 65534 seconds
Flags: Attached: 0, Overload: 0
Packet:
Length: 149 bytes
Last received time: 2020-11-02T06:45:59.814186+0000
Expiry: expires in 17h 49m 44s 99010us
Dynamic Hostname TLV: none
Protocols Supported TLVs:
Network layer protocol ID: IPv6
Network layer protocol ID: IPv4
Area Address TLVs:
Area address: 49.0001
Authentication TLV:
Value: 5892f2d37d7f23abcfcb48466276659c
IS Reachability TLVs:
IS neighbor: 1920.0100.4001.00
IPv4 Reachability TLVs:
IPv4 prefix: 10.0.27.0/31          Metric: 1000000  Internal
Up
IPv4 prefix: 10.4.12.0/31         Metric: 1000000  Internal
Up
IPv4 prefix: 192.1.4.2/32         Metric: 1000000  Internal
Up  SID: 2  Flags: Node
IPv6 Reachability TLVs:
IPv6 prefix: 192:1:4::2/128       Metric: 1000000  Internal
Up
Segment Routing TLVs:
SRGB: Base: 70000, Range: 2000
supervisor@rtb_spine_1: op>

```

6.32. show isis database instance <instance-name> level-1 lsp <lsp-id>

```

supervisor@rtb_spine_1: op> show isis database instance ip2vrf level-1 lsp
1920.0100.4001.00-00
Instance: ip2vrf, Level: 1
  LSP ID: 1920.0100.4001.00-00
    Interface:
    LSP Header:
    Sequence: 0xc
    Checksum: 0x9c74
    Remaining lifetime: 65535 seconds
    Flags: Attached: 0, Overload: 0
    Packet:
    Length: 168 bytes
    Last received time: 2020-11-02T06:46:46.473726+0000
    Expiry: expires in 17h 48m 21s 320089us
    Dynamic Hostname TLV: spine1
    Protocols Supported TLVs:
    Network layer protocol ID: IPv6
    Network layer protocol ID: IPv4
    Area Address TLVs:
    Area address: 49.0001
    Authentication TLV:
    Value: 77b259cb36930819b0abb6120ceee2fd
    IS Reachability TLVs:
    IS neighbor: 1920.0000.0006.00
    IS neighbor: 1920.0100.4002.00
    IPv4 Reachability TLVs:
    IPv4 prefix: 10.0.16.0/31                               Metric: 1000000   Internal
Up
    IPv4 prefix: 10.4.12.0/31                               Metric: 1000000   Internal
Up
    IPv4 prefix: 192.1.4.1/32                               Metric: 1000000   Internal
Up  SID: 1   Flags: Node
    IPv6 Reachability TLVs:
    IPv6 prefix: 192:1:4::1/128                             Metric: 1000000   Internal
Up
    Segment Routing TLVs:
    SRGB: Base: 10000, Range: 2000
supervisor@rtb_spine_1: op>

```

6.33. show isis database instance <instance-name> level-1 system <system-id>

```

supervisor@rtb_spine_1: op> show isis database instance ip2vrf level-1 system
1920.0100.4001
Instance: ip2vrf, Level: 1
  LSP ID: 1920.0100.4001.00-00
    Interface:
    LSP Header:
    Sequence: 0xc

```

```

Checksum: 0x9c74
Remaining lifetime: 65535 seconds
Flags: Attached: 0, Overload: 0
Packet:
Length: 168 bytes
Last received time: 2020-11-02T06:46:46.473726+0000
Expiry: expires in 17h 47m 49s 370231us
Dynamic Hostname TLV: spine1
Protocols Supported TLVs:
Network layer protocol ID: IPv6
Network layer protocol ID: IPv4
Area Address TLVs:
Area address: 49.0001
Authentication TLV:
Value: 77b259cb36930819b0abb6120ceee2fd
IS Reachability TLVs:
IS neighbor: 1920.0000.0006.00
IS neighbor: 1920.0100.4002.00
IPv4 Reachability TLVs:
IPv4 prefix: 10.0.16.0/31                Metric: 1000000    Internal
Up
IPv4 prefix: 10.4.12.0/31                Metric: 1000000    Internal
Up
IPv4 prefix: 192.1.4.1/32                Metric: 1000000    Internal
Up  SID: 1  Flags: Node
IPv6 Reachability TLVs:
IPv6 prefix: 192:1:4::1/128             Metric: 1000000    Internal
Up
Segment Routing TLVs:
SRGB: Base: 10000, Range: 2000
supervisor@rtb_spine_1: op>

show isis database instance <instance-name> level-2 detail

supervisor@rtb_spine_1: op> show isis database instance ip2vrf level-2 detail
Instance: ip2vrf, Level: 2
  LSP ID: 1920.0100.4001.00-00
    Interface:
    LSP Header:
    Sequence: 0x12
    Checksum: 0x6407
    Remaining lifetime: 65535 seconds
    Flags: Attached: 0, Overload: 0
    Packet:
    Length: 247 bytes
    Last received time: 2020-11-02T06:47:06.466723+0000
    Expiry: expires in 17h 47m 42s 657607us
    Dynamic Hostname TLV: spine1
    Protocols Supported TLVs:
    Network layer protocol ID: IPv6
    Network layer protocol ID: IPv4
    Area Address TLVs:
    Area address: 49.0001
    Authentication TLV:
    none
    IS Reachability TLVs:
    IPv4 Reachability TLVs:
    IPv4 prefix: 10.0.16.0/31                Metric: 1000000    Internal

```

```
Up
  IPv4 prefix: 10.0.27.0/31                      Metric: 2000000 Internal
Up
  IPv4 prefix: 10.0.68.0/31                      Metric: 2000000 Internal
Up
  IPv4 prefix: 10.0.69.0/31                      Metric: 2000000 Internal
Up
  IPv4 prefix: 10.4.12.0/31                     Metric: 1000000 Internal
Up
  IPv4 prefix: 192.0.0.6/32                     Metric: 2000000 Internal
Up
  SID: 6  Flags: Re-advertisement, Node
  IPv4 prefix: 192.1.4.1/32                     Metric: 1000000 Internal
Up
  SID: 1  Flags: Re-advertisement, Node
  IPv4 prefix: 192.1.4.2/32                     Metric: 2000000 Internal
Up
  SID: 2  Flags: Re-advertisement, Node
  IPv6 Reachability TLVs:
  IPv6 prefix: 192:1:4::1/128                   Metric: 1000000 Internal
Up
  IPv6 prefix: 192:1:4::2/128                   Metric: 2000000 Internal
Up
  Segment Routing TLVs:
  SRGB: Base: 10000, Range: 2000
supervisor@rtb_spine_1: op>
```

6.34. show isis database instance <instance-name> level-2 lsp <lsp-id>

```

supervisor@rtb_spine_1: op> show isis database instance ip2vrf level-2 lsp
1920.0100.4001.00-00
Instance: ip2vrf, Level: 2
  LSP ID: 1920.0100.4001.00-00
    Interface:
    LSP Header:
    Sequence: 0x12
    Checksum: 0x6407
    Remaining lifetime: 65535 seconds
    Flags: Attached: 0, Overload: 0
    Packet:
    Length: 247 bytes
    Last received time: 2020-11-02T06:47:06.466723+0000
    Expiry: expires in 17h 46m 56s 57724us
    Dynamic Hostname TLV: spine1
    Protocols Supported TLVs:
    Network layer protocol ID: IPv6
    Network layer protocol ID: IPv4
    Area Address TLVs:
    Area address: 49.0001
    Authentication TLV:
    none
    IS Reachability TLVs:
    IPv4 Reachability TLVs:
    IPv4 prefix: 10.0.16.0/31                Metric: 1000000  Internal
Up
    IPv4 prefix: 10.0.27.0/31                Metric: 2000000  Internal
Up
    IPv4 prefix: 10.0.68.0/31                Metric: 2000000  Internal
Up
    IPv4 prefix: 10.0.69.0/31                Metric: 2000000  Internal
Up
    IPv4 prefix: 10.4.12.0/31                Metric: 1000000  Internal
Up
    IPv4 prefix: 192.0.0.6/32                Metric: 2000000  Internal
Up  SID: 6  Flags: Re-advertisement, Node
    IPv4 prefix: 192.1.4.1/32                Metric: 1000000  Internal
Up  SID: 1  Flags: Re-advertisement, Node
    IPv4 prefix: 192.1.4.2/32                Metric: 2000000  Internal
Up  SID: 2  Flags: Re-advertisement, Node
    IPv6 Reachability TLVs:
    IPv6 prefix: 192:1:4::1/128             Metric: 1000000  Internal
Up
    IPv6 prefix: 192:1:4::2/128             Metric: 2000000  Internal
Up
    Segment Routing TLVs:
    SRGB: Base: 10000, Range: 2000
supervisor@rtb_spine_1: op>

```

6.35. show isis database instance <instance-name> level-2 system <system-id>

```

supervisor@rtb_spine_1: op> show isis database instance ip2vrf level-2 system
1920.0100.4001
Instance: ip2vrf, Level: 2
  LSP ID: 1920.0100.4001.00-00
    Interface:
    LSP Header:
    Sequence: 0x12
    Checksum: 0x6407
    Remaining lifetime: 65535 seconds
    Flags: Attached: 0, Overload: 0
    Packet:
    Length: 247 bytes
    Last received time: 2020-11-02T06:47:06.466723+0000
    Expiry: expires in 17h 45m 59s 489955us
    Dynamic Hostname TLV: spine1
    Protocols Supported TLVs:
    Network layer protocol ID: IPv6
    Network layer protocol ID: IPv4
    Area Address TLVs:
    Area address: 49.0001
    Authentication TLV:
    none
    IS Reachability TLVs:
    IPv4 Reachability TLVs:
    IPv4 prefix: 10.0.16.0/31                Metric: 1000000  Internal
Up
    IPv4 prefix: 10.0.27.0/31                Metric: 2000000  Internal
Up
    IPv4 prefix: 10.0.68.0/31                Metric: 2000000  Internal
Up
    IPv4 prefix: 10.0.69.0/31                Metric: 2000000  Internal
Up
    IPv4 prefix: 10.4.12.0/31                Metric: 1000000  Internal
Up
    IPv4 prefix: 192.0.0.6/32                Metric: 2000000  Internal
Up
    SID: 6  Flags: Re-advertisement, Node
    IPv4 prefix: 192.1.4.1/32                Metric: 1000000  Internal
Up
    SID: 1  Flags: Re-advertisement, Node
    IPv4 prefix: 192.1.4.2/32                Metric: 2000000  Internal
Up
    SID: 2  Flags: Re-advertisement, Node
    IPv6 Reachability TLVs:
    IPv6 prefix: 192:1:4::1/128              Metric: 1000000  Internal
Up
    IPv6 prefix: 192:1:4::2/128              Metric: 2000000  Internal
Up
    Segment Routing TLVs:
    SRGB: Base: 10000, Range: 2000
supervisor@rtb_spine_1: op>

```